

**ACCESSORIES  
AND  
FLASHING  
TECHNICAL  
CATALOGUE**

# **ACCESSORIES and FLASHINGS**

## for sandwich panels

October 2022

*The content of this folder does not constitute a commercial offer in the understanding of the Civil Code regulations. Information included in this paper demonstrates only sample solutions that require consultation and specification by the designer of a particular building according to individual clients' needs. Balex Metal does not bear any responsibility in case of any technical irregularities or errors resulting from inappropriate application of information included in this paper.*



## TABLE OF CONTENTS

### I. FLASHINGS FOR SANDWICH PANELS

1. Standard flashings for sandwich panels.....	5
1.1. OBR 05 External straight corner .....	5
1.2. OBR 06 External window strip.....	5
1.3. OBR 52 Profiled external roof ridge – ridge tile .....	6
1.4. OBR 57 Eaves masking frame– option I.....	6
1.5. OBR 62 Eaves masking frame – BALEX option .....	7
1.6. OBR 74 Wall – roof contact area masking frame – bent back.....	7
1.7. OBR 76 Wall – roof contact area masking frame- straight .....	8
1.8. OBR 100 Standard drip cap.....	8
1.9. OBR 101 Internal masking frame .....	9
1.10. OBR 102 Tongue and groove drip cap.....	9
1.11. OBR 103 External corner with a hidden joint.....	10
1.12. OBR 104 Internal strip.....	10
1.13. OBR 105 Panels' contact area masking frame – straight .....	11
1.14. OBR 106 Masking strip .....	11
1.15. OBR 107 Over-window drip cap .....	12
1.16. OBR 109 External even-armed straight corner.....	12
1.17. OBR 112 Attic eaves.....	13
1.18. OBR 113 External corner - compound.....	13
1.19. Snow guard set PP .....	14
1.20. OBR 205 Flat external roof ridge – ridge tile .....	14
2. Flashings for PWD sandwich panels .....	15
2.1. OBR 53 PWD Roof ridge masking frame .....	15
2.2. OBR 54 PWD Over-gutter drip cap .....	15
2.3. OBR 59 PWD Gutter flashing .....	16
2.4. OBR 60 PWD wind blade flashing .....	16
2.5. OBR 64 PWD Roof expansion joint.....	17
2.6. OBR 65 PWD Roof ridge strip .....	17
2.7. Visualization of the roof ridge finish – roof sandwich panel PWD .....	18
3. Flashings for BALEX THERM sandwich panels.....	19
3.1. OBR 108 BALEX THERM-W-PLUS Over-window drip cap - lock sealing .....	19
3.2. OBR 110 BALEX THERM Contact area masking ground beam .....	19
3.3. OBR 111 BALEX THERM Contact area masking frame– decorative element .....	20
3.4. OBR 200 BALEX THERM roof ridge masking frame.....	20
3.5. OBR 201 BALEX THERM-R roof ridge strip .....	21
3.6. OBR 202 BALEX THERM wind blade flashing .....	21
3.7. OBR 203 BALEX THERM-R Over-gutter drip cap .....	22
3.8. OBR 206 Closure for BALEX THERM-R .....	22
3.9. OBR 301 BALEX THERM-PU-F external corner .....	23
3.10. OBR 302 BALEX THERM-PU-F slant internal corner .....	23
3.11. OBR 303 BALEX THERM-PU-F straight internal corner .....	24
3.12. OBR 304 BALEX THERM-PU-F drip cap .....	24

### II. ACCESSORIES FOR SANDWICH PANELS

1. Sealing tapes.....	25
1.1. Self-adhesive sealing tapes .....	25
1.1.1. Polyethylene self-adhesive sealing tape PES 3x20 .....	25
1.1.2. Polyurethane self-adhesive sealing tape PUS 5x40 .....	25
1.1.3. Polyurethane self-adhesive sealing tape PUS 5x80 .....	25
1.2. Impregnated polyurethane seals.....	25
1.2.1. Impregnated polyurethane seal 20x30 .....	25
1.2.2. Impregnated polyurethane seal 20x40 .....	25
1.2.3. Impregnated polyurethane seal 20x50 .....	25

1.3. Polyethylene sealing tapes .....	26
1.3.1. Polyethylene sealing tape for PWD panels - TUN 18 .....	26
1.3.2. Polyethylene sealing tape for PWD panels - TUP 18 .....	26
1.3.3. Polyethylene sealing tape for BALEXTHERM-R panels - TUN 45.....	26
1.3.4. Polyethylene sealing tape for BALEXTHERM-R panels - TUP 45 .....	26
1.4. Butyl sealing tape .....	26
1.5. Impregnated polyurethane expansive tape 20x10 .....	26
2. Fasteners .....	27
2.1. LB 1 fastener for fastening sandwich panels to steel structure of the thickness of 1.5 – 5.0mm .....	27
2.2. LB 2 fastener for fastening sandwich panels to steel structure of the thickness of 3.0 – 12.0mm .....	27
2.3. LB 6 fastener for fastening flashings.....	27
2.4. LB 25 system steel pad .....	27
2.5. LB 30 system steel pad .....	27
3. Cold storage accessories .....	28
3.1. LB 70 fastener – polyamide sleeve .....	28
3.2. LB 71 fastener – load carrying washer Ø70 / Ø10.5 .....	28
3.3. Protective cap .....	28
3.4. Fastening nut .....	29
3.5. INJ 24 Washer for INJ 235 or INJ 23 fastening nuts .....	29
3.6. LB 7 fastener for fastening cold storage panels to steel structure.....	29
3.7. A 88 joist hanger M10 for T profiles .....	30
3.8. PUL 11 OMEGA profile (polyester) .....	30
3.9. PVC rounded corner profile .....	31
3.10. PVC fastening profile .....	31
3.11. EX 15 PVC double-wall plinth with soft edges .....	31
3.12. Light bump handrail (complete set) – EX 20 and EX 21 .....	32
3.13. Profile of the concrete plinth finish – EX 10 (INJ B229 – profile’s end).....	32
3.14. PVC rigid channel profile ‘U’ with round ends .....	32

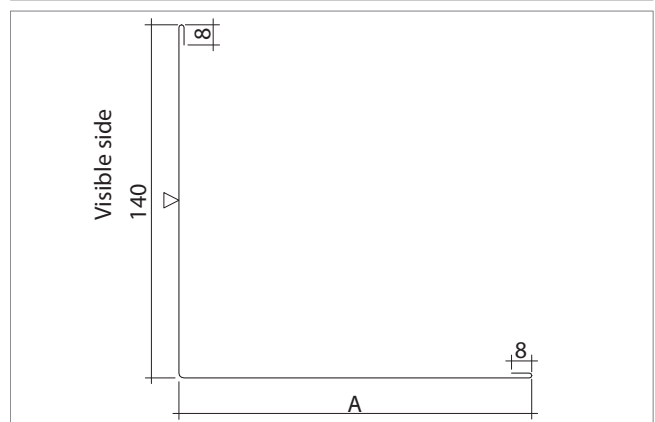
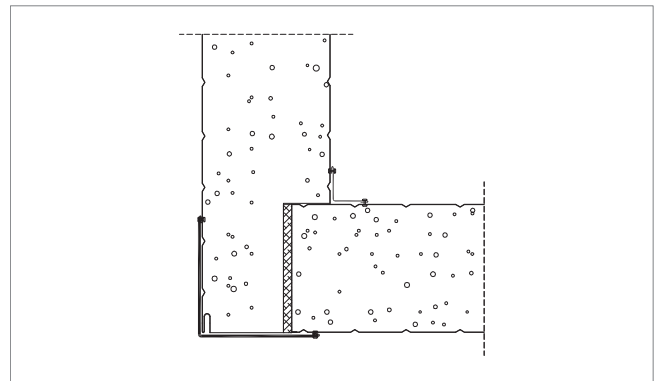
## I. FLASHINGS FOR SANDWICH PANELS

### 1. STANDARD FLASHINGS FOR SANDWICH PANELS

#### 1.1. OBR 05

External straight corner

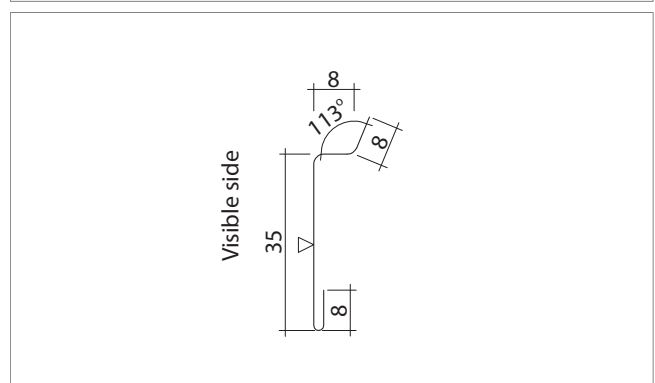
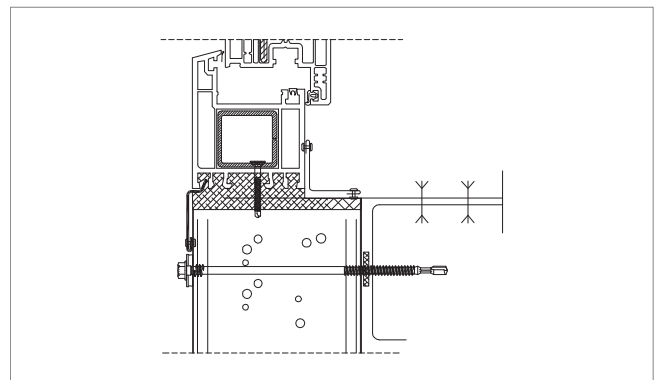
Marking	A [mm]	Unfolding [mm]	Weight [kg/linear m]
OBR 05	140	296	1,16
OBR 05/125	165	321	1,26
OBR 05/150	190	346	1,36
OBR 05/175	215	371	1,46
OBR 05/200	240	396	1,56



#### 1.2. OBR 06

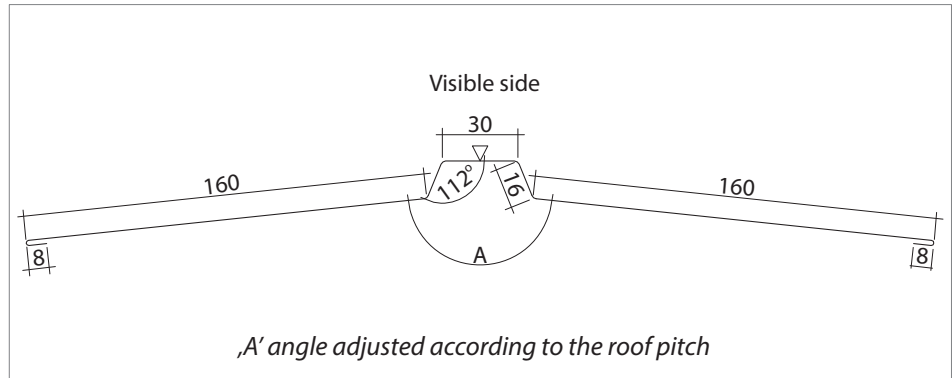
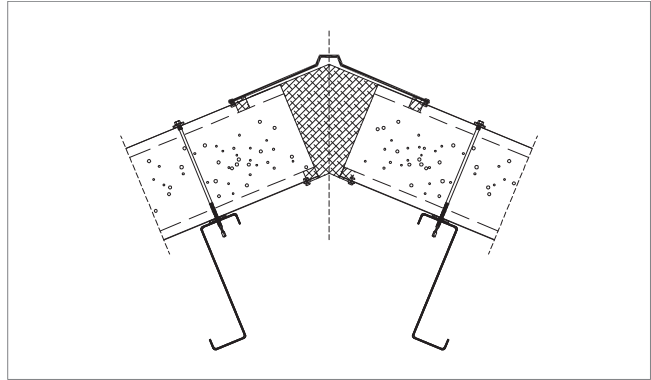
External window strip

Marking	Unfolding [mm]	Weight [kg/linear m]
OBR 06	59	0,41



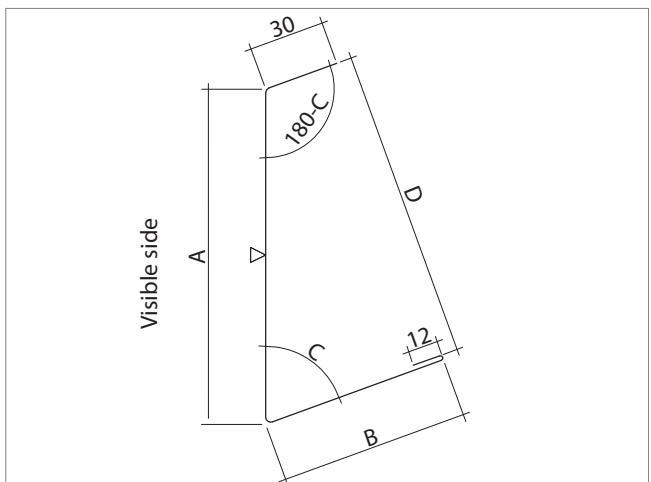
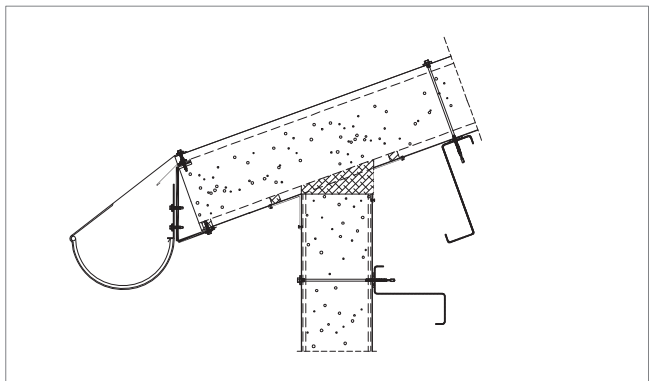
**1.3. OBR 52**  
**Profiled external roof ridge – ridge tile**

Marking	Unfolding [mm]	Weight [kg/linear m]
OBR 52	398	1,56



**1.4. OBR 57**  
**Eaves masking frame– option I**

Marking	D [mm]	Weight [kg/linear m]
OBR 57/40	40	0,28
OBR 57/60	60	0,41
OBR 57/75	75	0,52
OBR 57/80	80	0,55
OBR 57/100	100	0,69
OBR 57/120	120	0,83
OBR 57/125	125	0,86
OBR 57/150	150	1,04
OBR 57/160	160	1,10
OBR 57/175	175	1,21
OBR 57/200	200	1,38

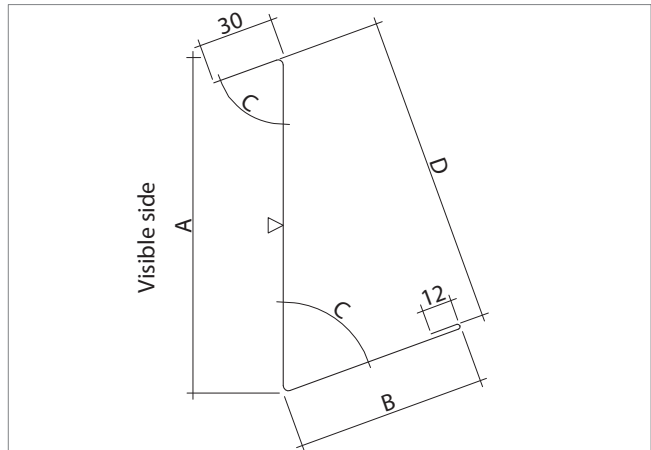
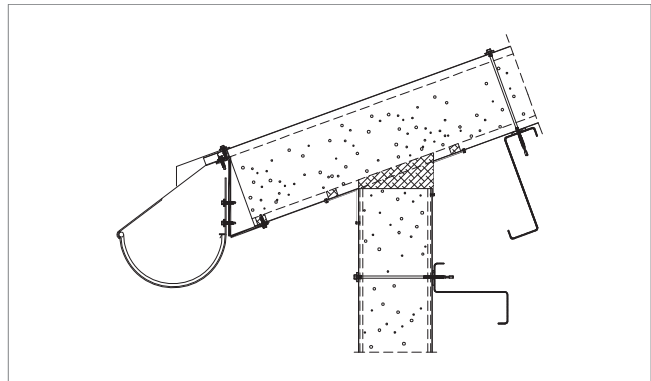


*A), C' angle, A' and B' dimensions adjusted according to the roof pitch*  
*B) 0.88 mm thick, colour 9010*

### 1.5. OBR 62 Eaves masking frame – BALEX option

Marking	D [mm]	Weight [kg/linear m]
OBR 62/40	40	0,28
OBR 62/60	60	0,41
OBR 62/75	75	0,52
OBR 62/180	80	0,55
OBR 62/100	100	0,69
OBR 62/120	120	0,83
OBR 62/125	125	0,86
OBR 62/150	150	1,04
OBR 62/160	160	1,10
OBR 62/175	175	1,21
OBR 62/200	200	1,38

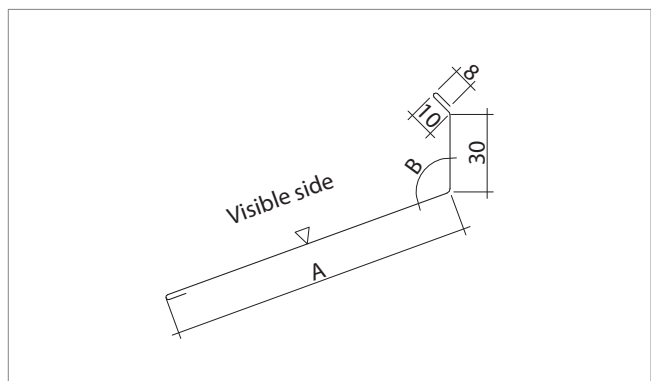
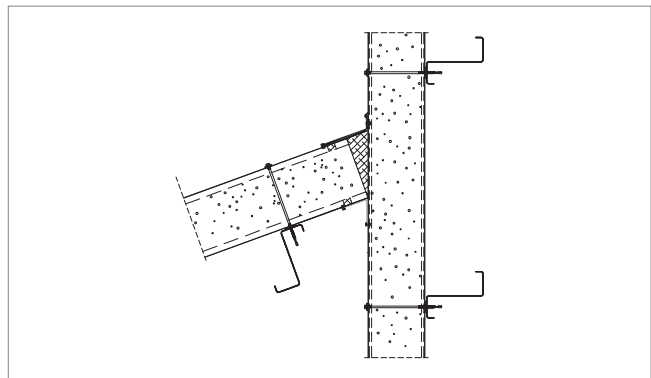
A), C' angle, A' and B' dimensions adjusted according to the roof pitch  
 B) 0.88 mm thick, colour 9010



### 1.6. OBR 74 Wall – roof masking frame – bend back

Marking
OBR 74

B' angle and A' dimension adjusted according to the roof pitch

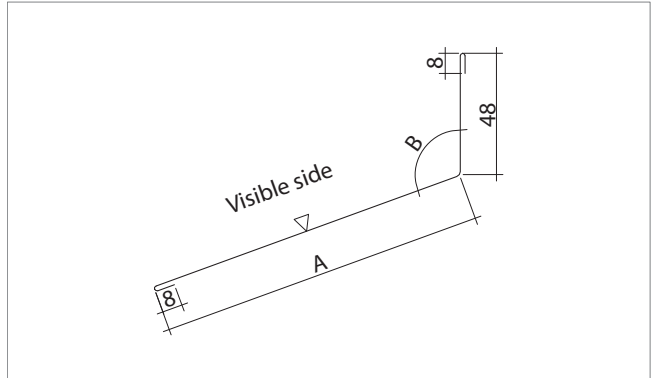
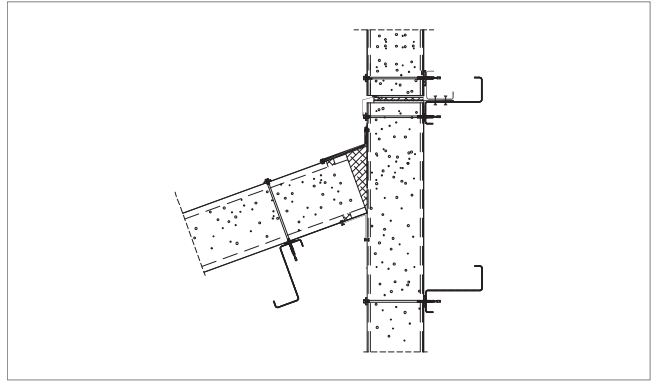




**1.7. OBR 76**  
**Wall – roof masking frame – straight**

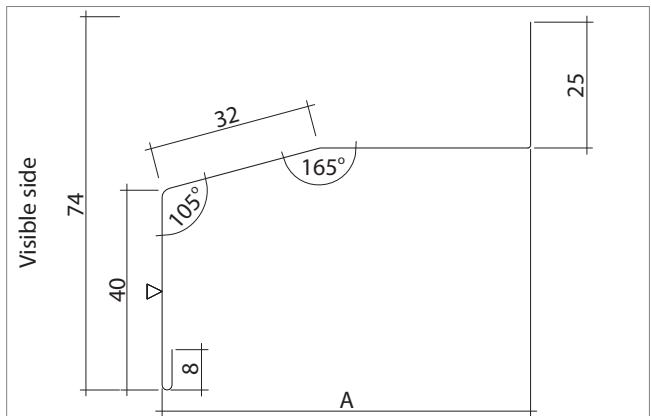
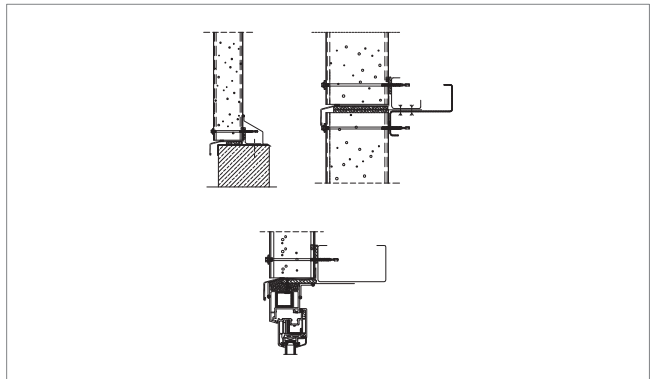
Marking
OBR 76

*,B' angle and ,A' dimension adjusted according to the roof pitch*



**1.8. OBR 100**  
**Standard drip cap**

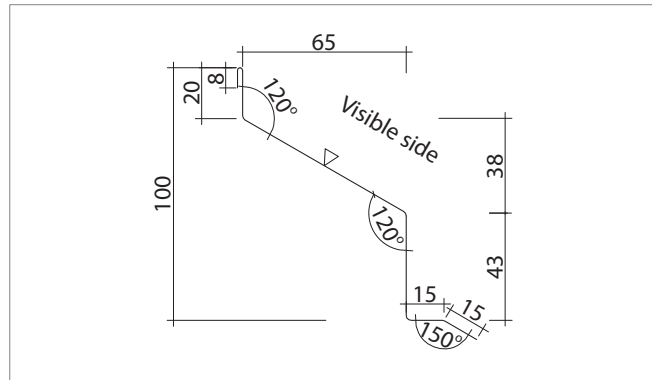
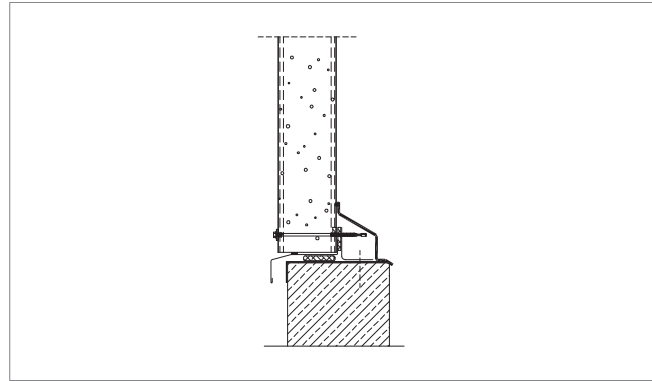
Marking	A [mm]	Unfolding [mm]	Weight [kg/linear m]
OBR 100/40	53	127	0,50
OBR 100/50	63	137	0,54
OBR 100/60	73	147	0,58
OBR 100/75	88	162	0,64
OBR 100/80	93	167	0,65
OBR 100/100	113	187	0,73
OBR 100/120	133	207	0,81
OBR 100/125	138	212	0,83
OBR 100/130	143	217	0,85
OBR 100/140	153	227	0,89
OBR 100/150	163	237	0,93
OBR 100/160	173	247	0,97
OBR 100/175	188	262	1,03
OBR 100/180	193	267	1,05
OBR 100/200	213	287	1,13
OBR 100/230	243	317	1,24



### 1.9. OBR 101

#### Internal masking frame

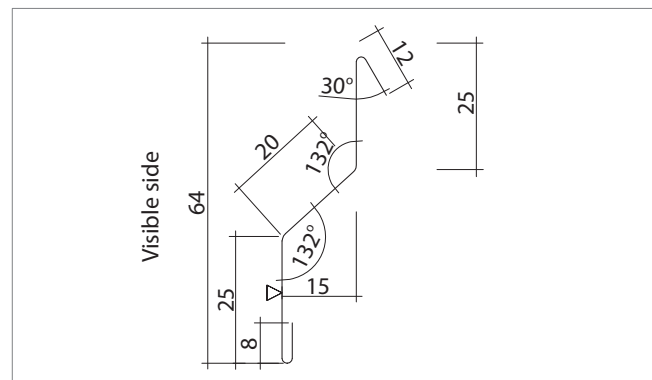
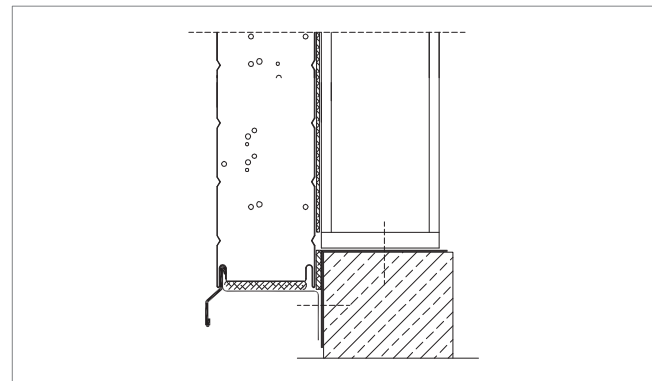
Marking	Unfolding [mm]	Weight [kg/linear m]
OBR 101	176	0,69



### 1.10 OBR 102

#### Tongue and groove drip cap

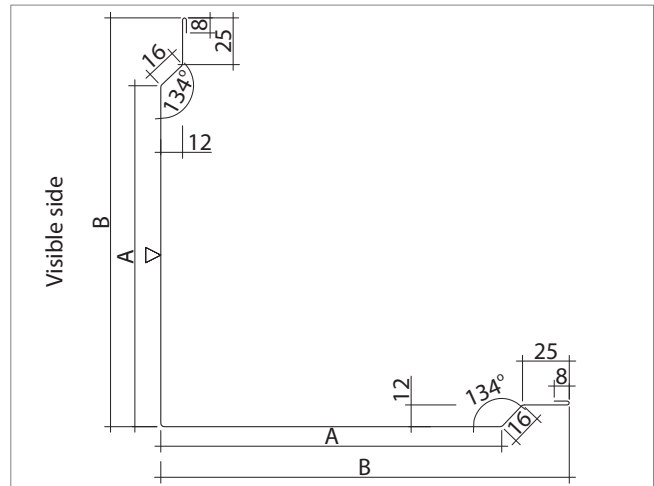
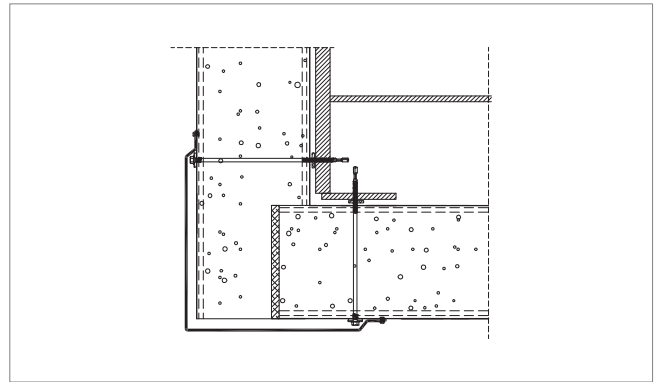
Marking	Unfolding [mm]	Weight [kg/linear m]
OBR 102	90	0,35



## 1.11. OBR 103

### External corner with a hidden joint

Marking	A [mm]	B [mm]	Unfolding [mm]	Weight [kg/linear m]
OBR 103/40	120	156	338	1,33
OBR 103/50	130	166	358	1,40
OBR 103/60	140	176	378	1,48
OBR 103/75	155	191	408	1,60
OBR 103/80	160	196	418	1,64
OBR 103/100	180	216	458	1,80
OBR 103/120	200	236	498	1,95
OBR 103/125	205	241	508	1,99
OBR 103/130	210	246	518	2,03
OBR 103/140	220	256	538	2,11
OBR 103/150	230	266	558	2,19
OBR 103/160	240	276	578	2,27
OBR 103/175	255	291	608	2,39
OBR 103/180	260	296	618	2,43
OBR 103/200	280	323	658	2,58
OBR 103/230	310	346	718	2,82



## 1.12. OBR 104

### Internal strip

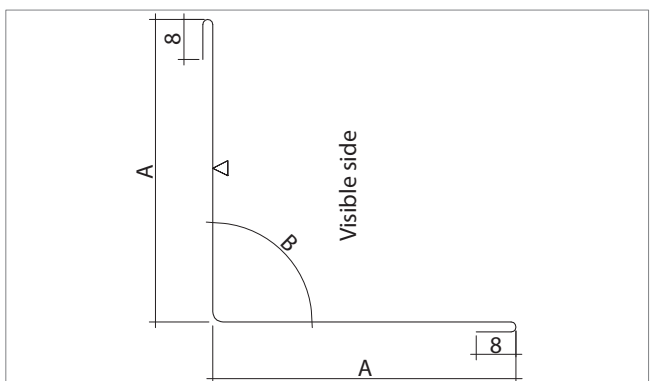
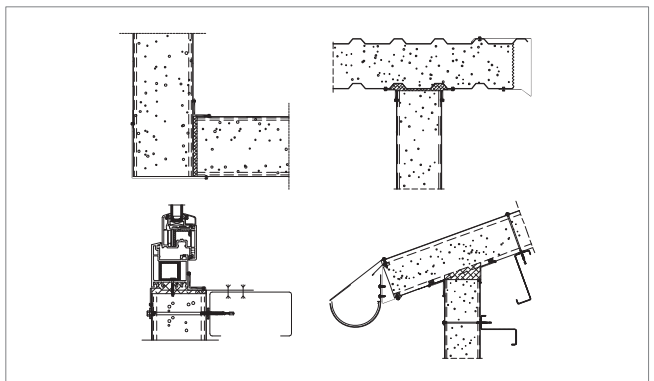
Marking	A [mm]	Unfolding [mm]	Weight [kg/linear m]
OBR 104/1	40	96	0,38
OBR 104/2	70	156	0,61

*,B' angle adjusted according to the roof pitch*

*Recommendation:*

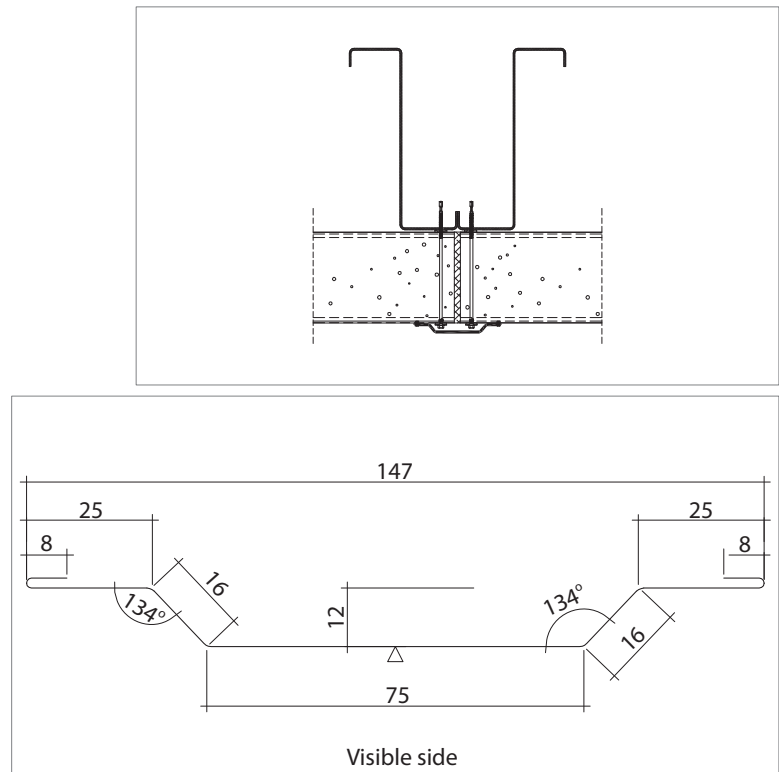
*OBR 104/1 for a blunt corner's angle ranging from 0° to 6°*

*OBR 104/2 for a blunt corner's angle ranging from 0° to 22°*



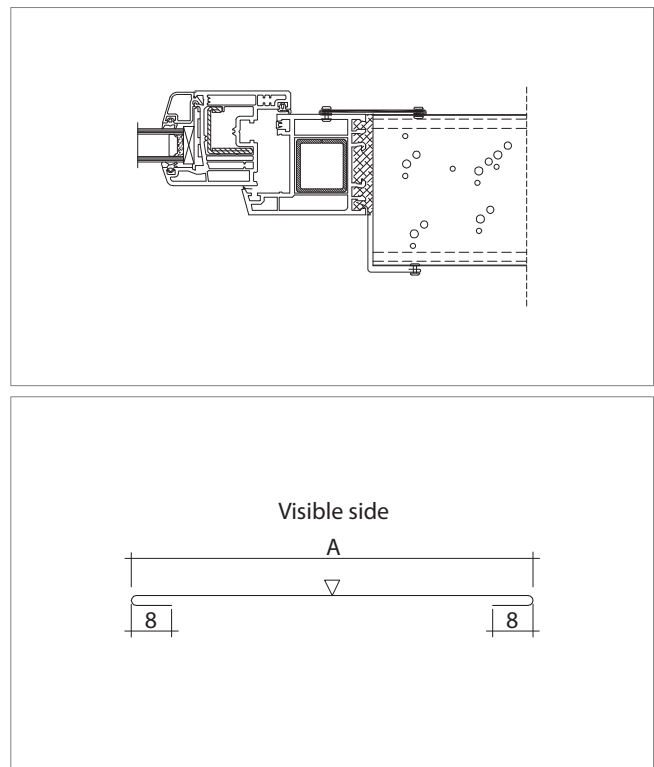
**1.13. OBR 105**  
**Panels' contact area masking frame**  
**– straight**

Marking	Unfolding [mm]	Weight [kg/linear m]
OBR 105	173	0,68



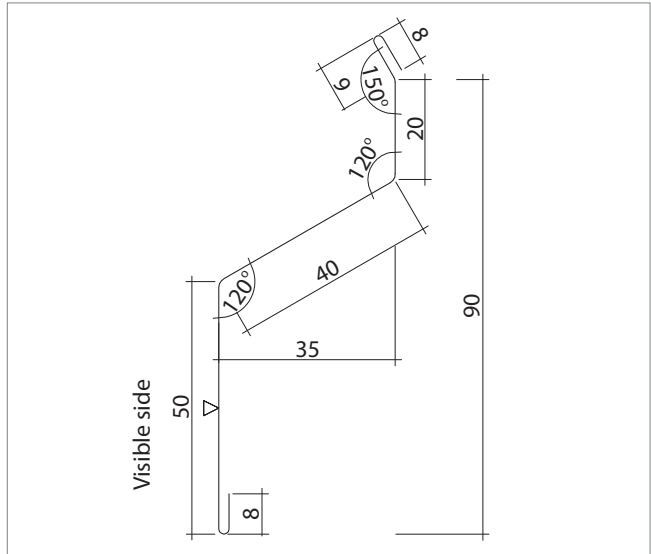
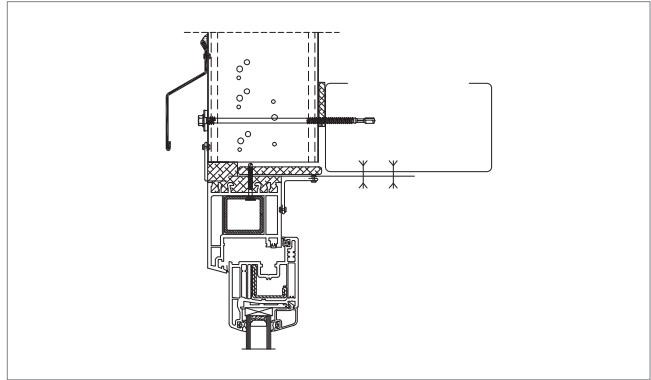
**1.14. OBR 106**  
**Masking strip**

Marking	A [mm]	Unfolding [mm]	Weight [kg/linear m]
OBR 106/1	60	76	0,30
OBR 106/2	80	96	0,38



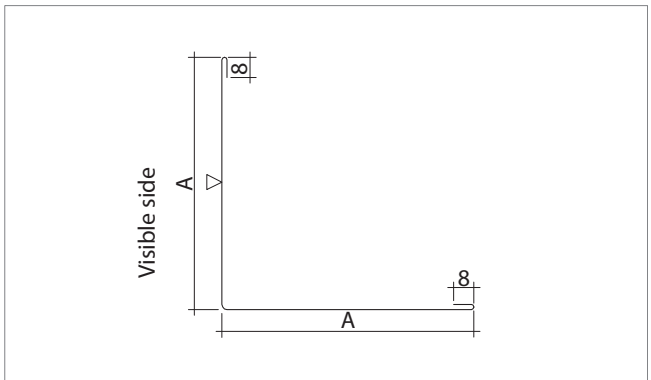
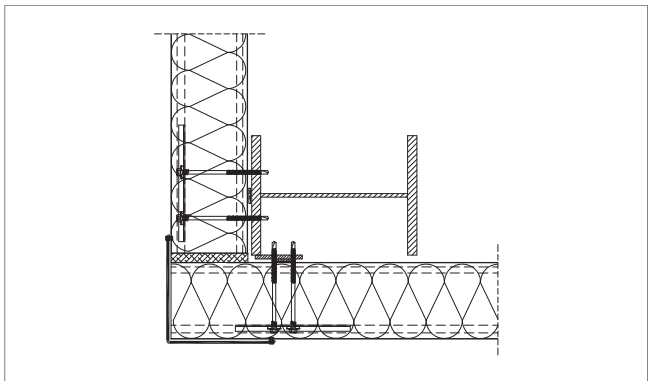
**1.15. OBR 107**  
**Over-window drip cap**

Marking	Unfolding [mm]	Weight [kg/linear m]
OBR 107	135	0,53



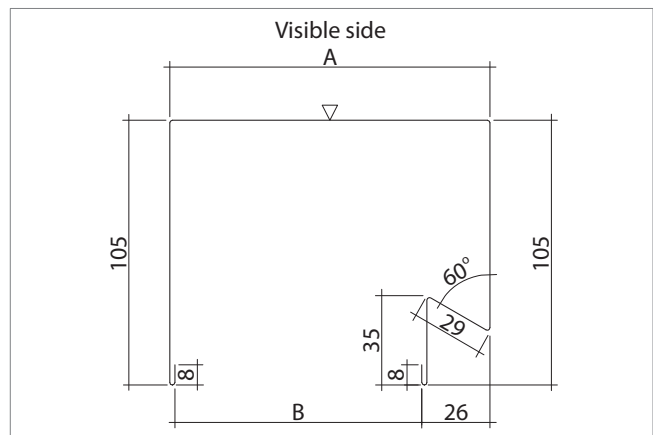
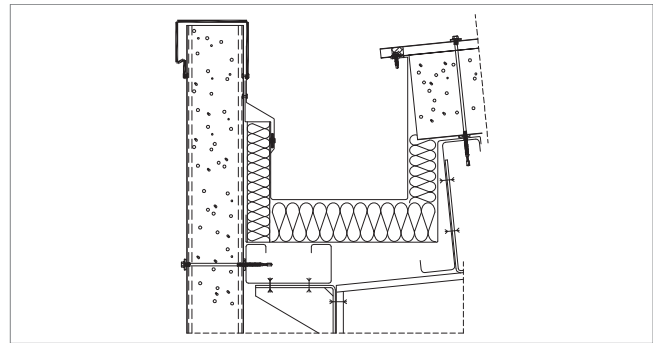
**1.16. OBR 109**  
**External even-armed straight corner**

Marking	A [mm]	Unfolding [mm]	Weight [kg/linear m]
OBR 109/1	80	176	0,69
OBR 109/2	100	216	0,85



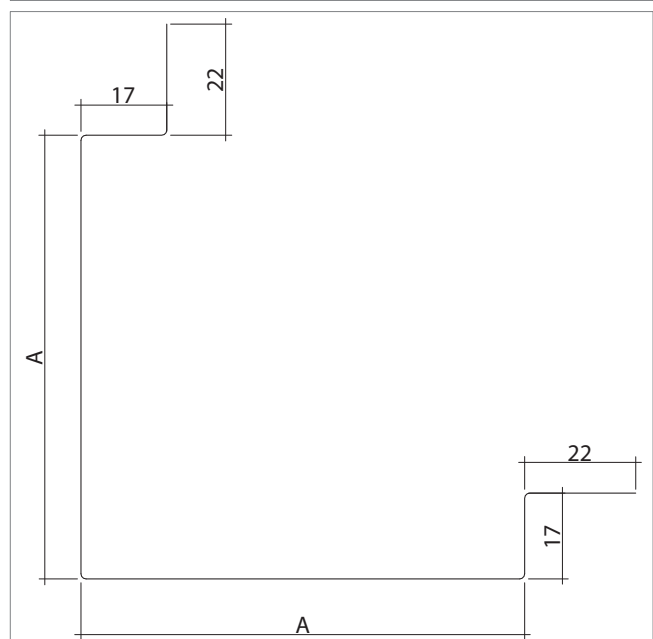
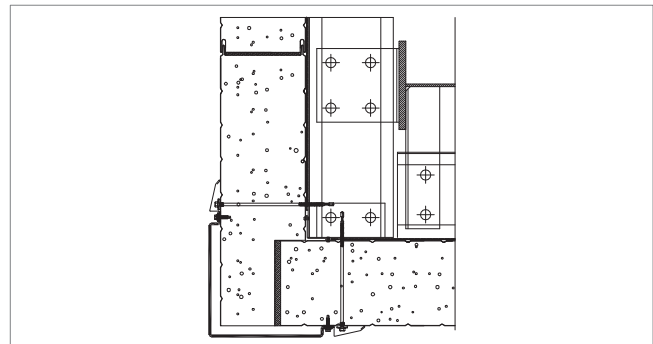
### 1.17. OBR 112 Attic eaves

Marking	A [mm]	B [mm]	Unfolding [mm]	Weight [kg/linear m]
OBR 112/40	67	40	336	1,32
OBR 112/50	77	50	346	1,36
OBR 112/60	87	60	356	1,40
OBR 112/75	102	75	371	1,46
OBR 112/80	107	80	376	1,48
OBR 112/100	127	100	396	1,55
OBR 112/120	147	120	416	1,63
OBR 112/125	152	125	421	1,65
OBR 112/130	157	130	426	1,67
OBR 112/140	167	140	436	1,71
OBR 112/150	177	150	446	1,75
OBR 112/160	187	160	456	1,79
OBR 112/175	202	175	471	1,85
OBR 112/180	207	180	476	1,87
OBR 112/200	227	200	496	1,95
OBR 112/230	257	230	526	2,06

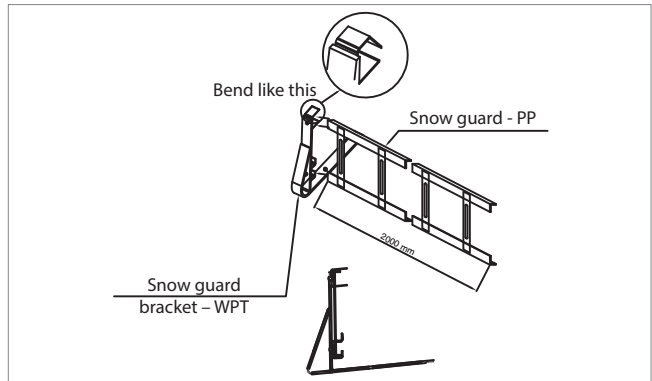
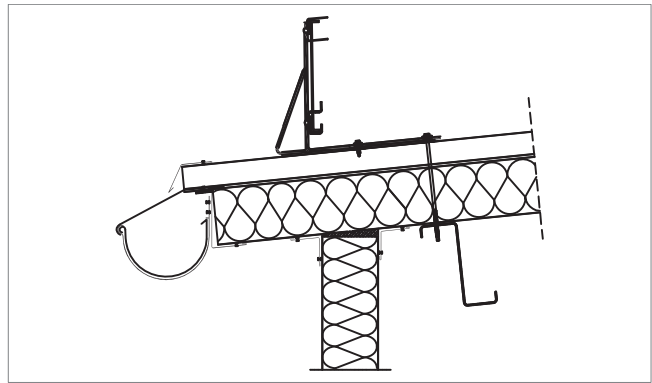


### 1.18. OBR 113 External corner – compound

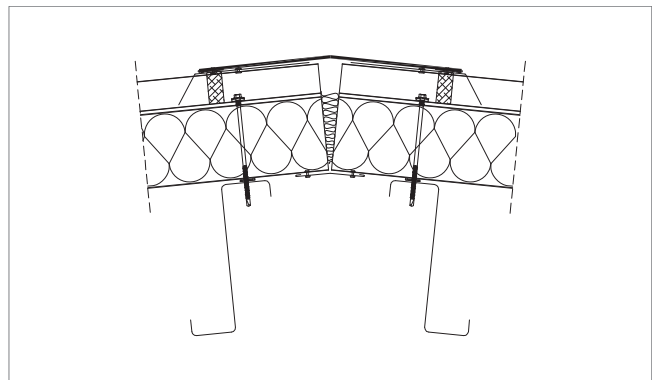
Marking	A [mm]	Unfolding [mm]	Weight [kg/linear m]
OBR 113/40	88	254	1,00
OBR 113/50	98	274	1,07
OBR 113/60	108	294	1,15
OBR 113/75	123	324	1,27
OBR 113/80	128	334	1,31
OBR 113/100	148	374	1,47
OBR 113/120	168	414	1,62
OBR 113/125	173	424	1,66
OBR 113/130	178	434	1,70
OBR 113/140	188	454	1,78
OBR 113/150	198	474	1,86
OBR 113/160	208	494	1,94
OBR 113/175	223	524	2,06
OBR 113/180	228	534	2,10
OBR 113/200	248	574	2,25
OBR 113/230	278	634	2,49



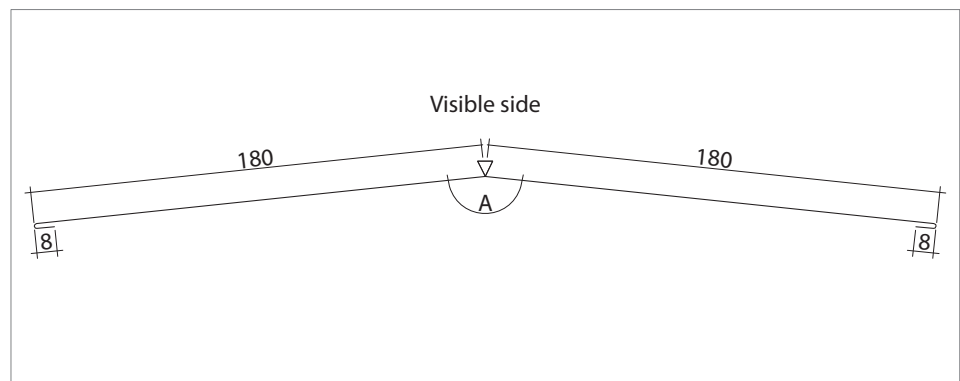
### 1.19. Snow guard (PP) set



### 1.20. OBR 205 Flat external roof ridge – ridge tile



Marking	Unfolding [mm]	Weight [kg/linear m]
OBR 205	376	1,48

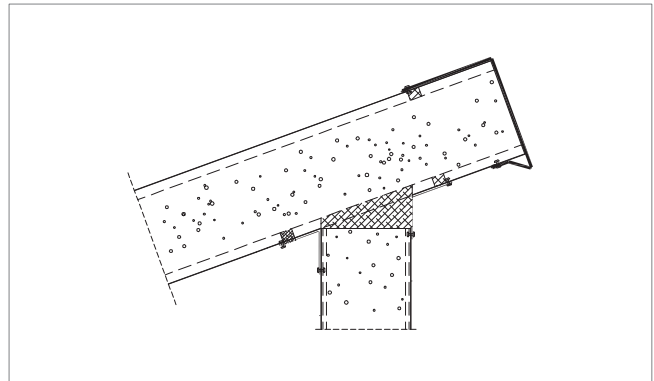


,A' angle adjusted according to the roof pitch

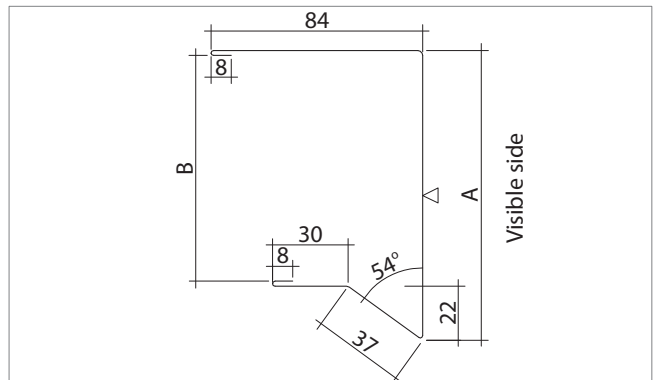
## 2. FLASHINGS FOR PWD SANDWICH PANELS

### 2.1. OBR 53

#### PWD Ridge tile masking frame

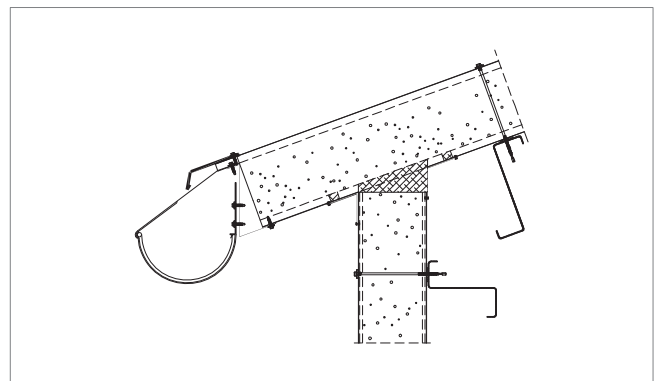


Marking	A [mm]	B [mm]	Unfolding [mm]	Weight [kg/linear m]
OBR 53/75	116	92	283	1,11
OBR 53/100	141	117	308	1,21
OBR 53/125	166	142	333	1,31
OBR 53/150	191	167	358	1,40
OBR 53/175	216	192	383	1,50
OBR 53/200	241	217	408	1,60



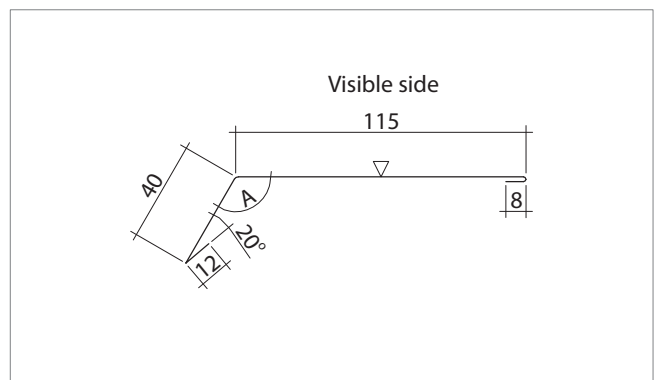
### 2.2. OBR 54

#### PWD Over-gutter drip cap



Marking	Unfolding [mm]	Weight [kg/linear m]
OBR 54	175	0,69

,A' angle adjusted according to the roof pitch

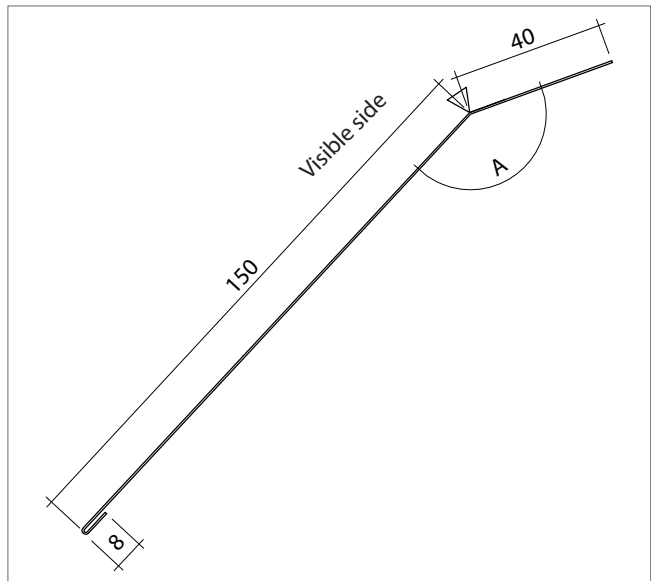
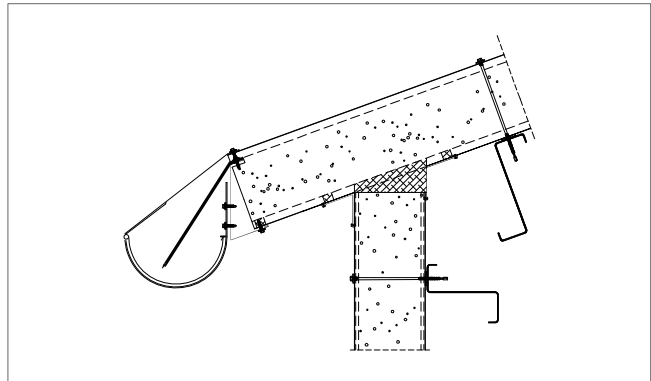




### 2.3. OBR 59 PWD Gutter flashing

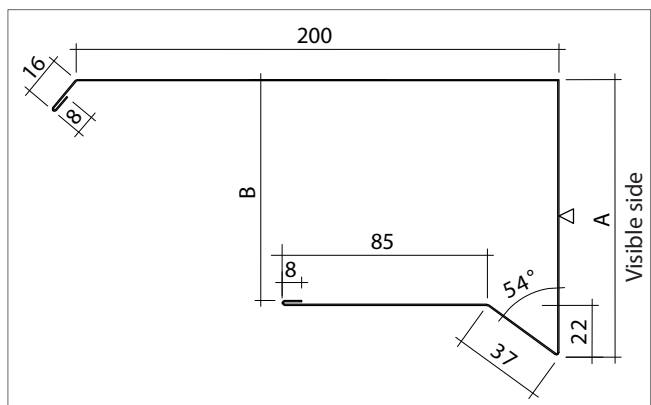
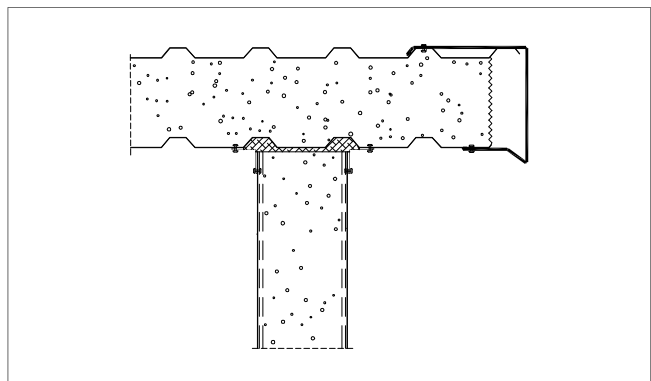
Marking	Unfolding [mm]	Weight [kg/linear m]
OBR 59	198	0,78

$A = 133^\circ + \text{roof pitch angle}$



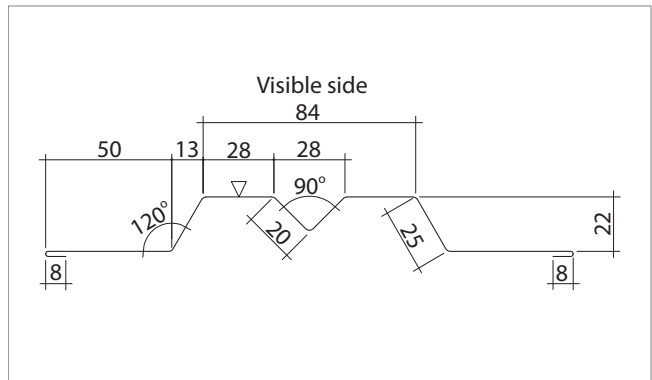
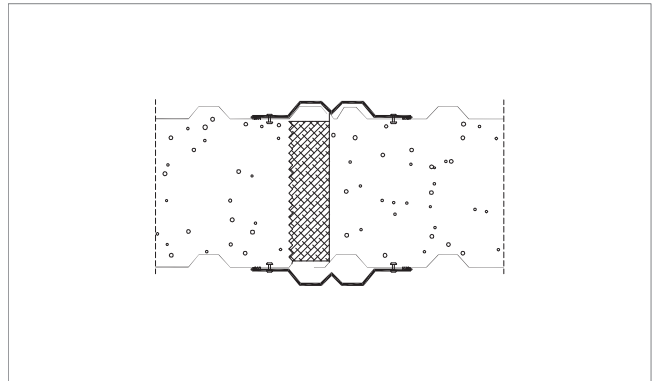
### 2.4. OBR 60 PWD wind blade flashing

Marking	A [mm]	B [mm]	Unfolding [mm]	Weight [kg/linear m]
OBR 60/75	116	93	470	1,84
OBR 60/100	141	118	495	1,94
OBR 60/125	166	143	520	2,04
OBR 60/150	191	168	545	2,14
OBR 60/175	216	193	570	2,24
OBR 60/200	241	218	595	2,33



### 2.5. OBR 64 PWD Roof expansion joint

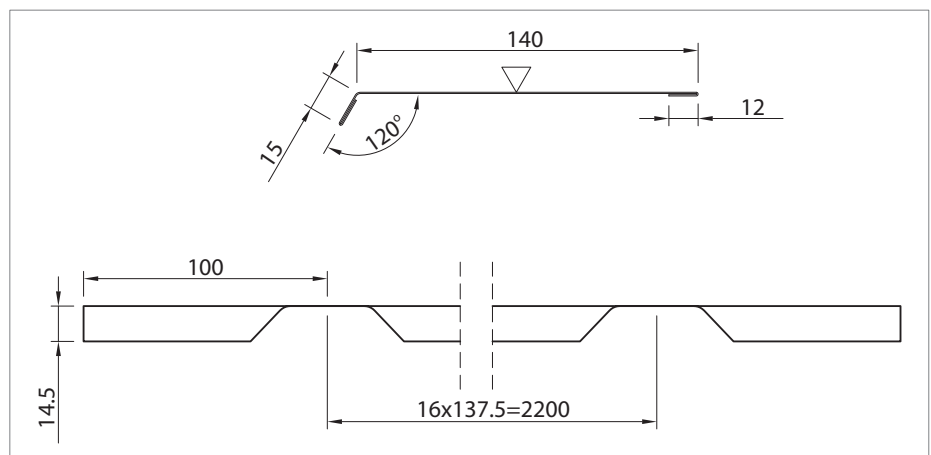
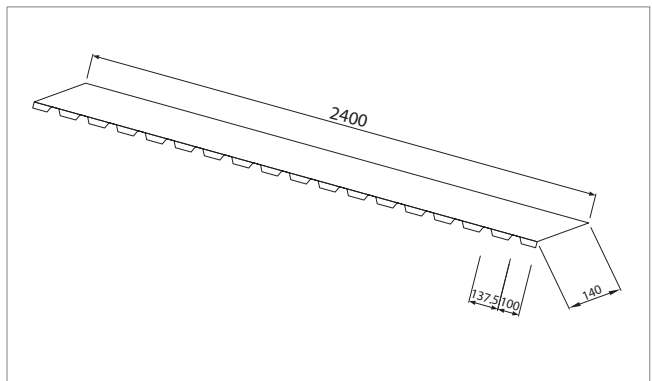
Marking	Unfolding [mm]	Weight [kg/linear m]
OBR 64	262	1,03



### 2.6. OBR 65 PWD Roof ridge strip

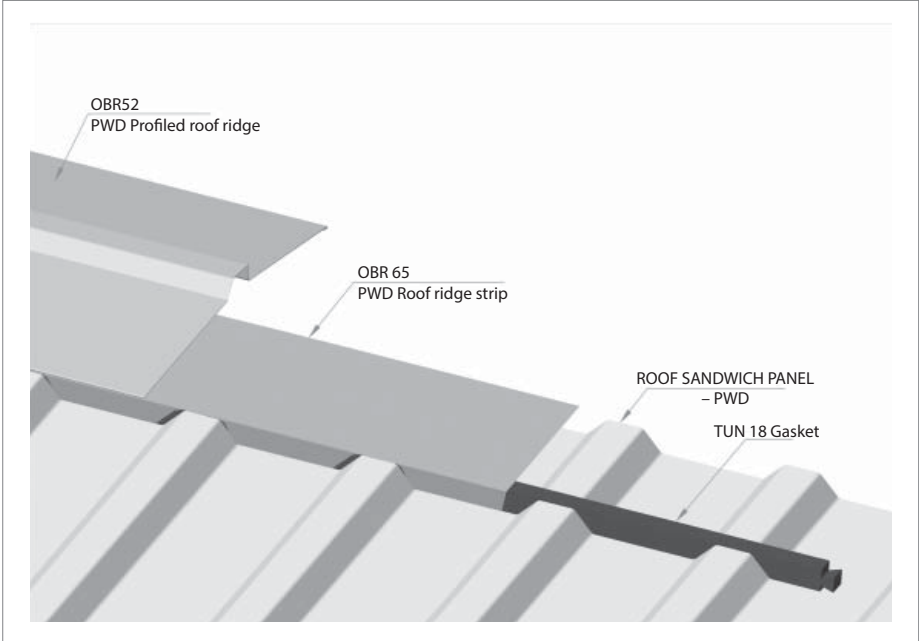
$t \geq 0,50$  mm

Marking	Unfolding [mm]	Mass index [kg/m]	Weight [kg/linear m]
OBR 65	179	0,60	0,60



**2.7. Visualization of the roof ridge finish**

**– roof sandwich panel PWD**

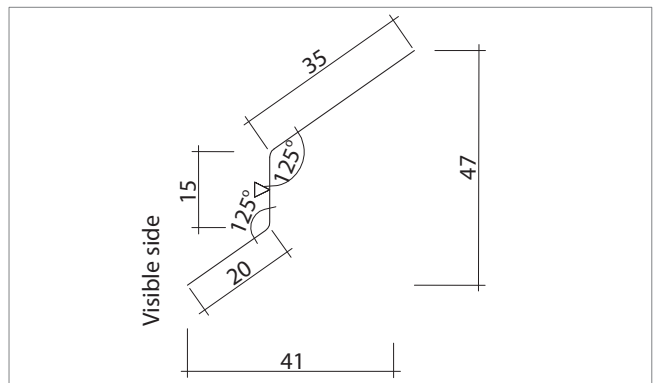
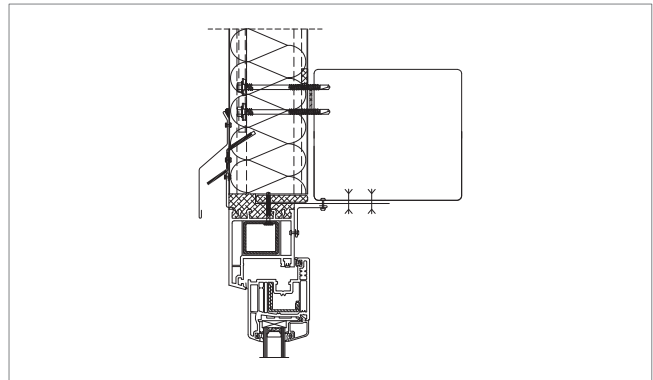


### 3. FLASHINGS FOR BALEXTHERM SANDWICH PANELS

#### 3.1. OBR 108

**BALEXTHERM-W-PLUS Over-window drip cap - lock sealing**

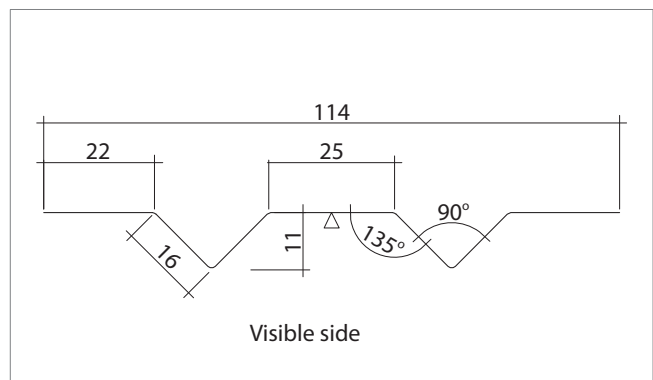
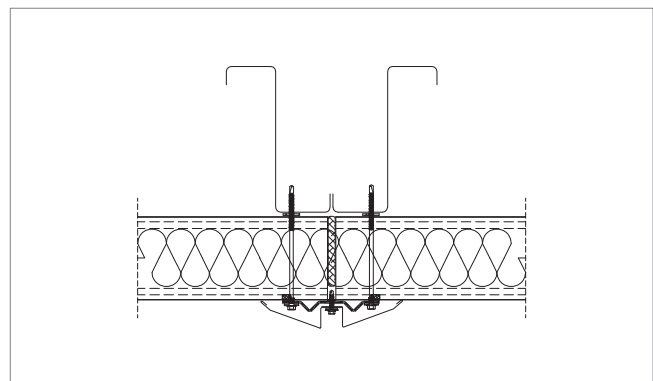
Marking	Lenght [mm]	Unfolding [mm]	Weight [kg/linear m]
OBR 108	100	70	0,27



#### 3.2. OBR 110

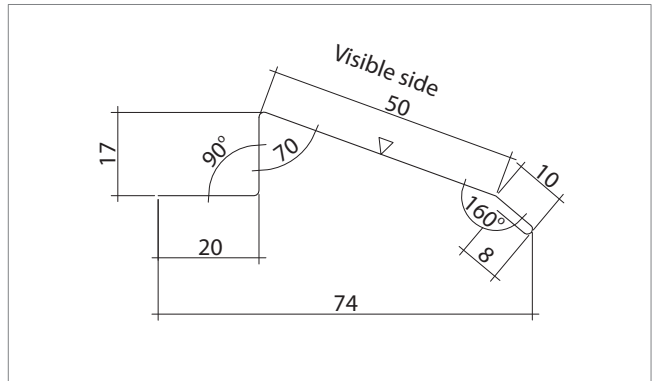
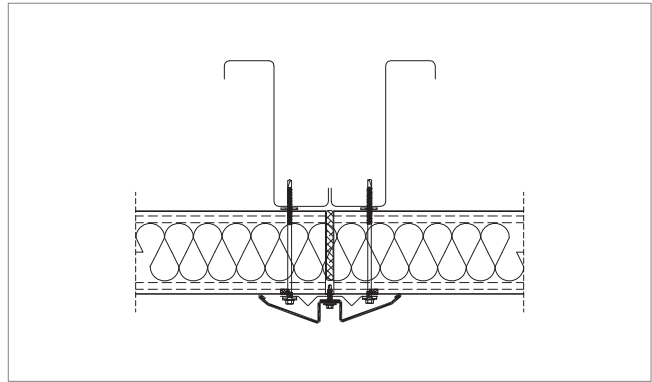
**BALEXTHERM Contact area masking ground beam**

Marking	Unfolding [mm]	Weight [kg/linear m]
OBR 110	133	0,52



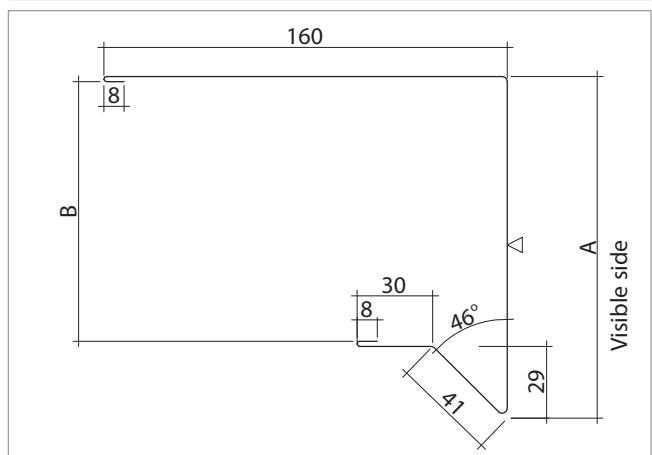
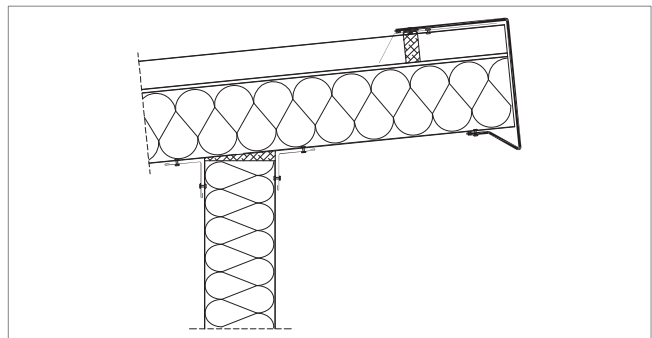
**3.3. OBR 111**  
**BALEXTHERM Contact area masking frame**  
 – decorative element

Marking	Unfolding [mm]	Weight [kg/linear m]
OBR 111	105	0,41



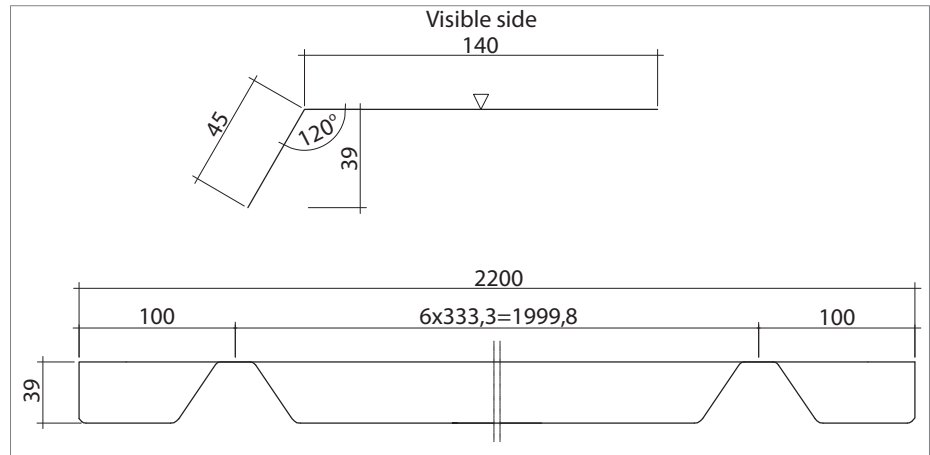
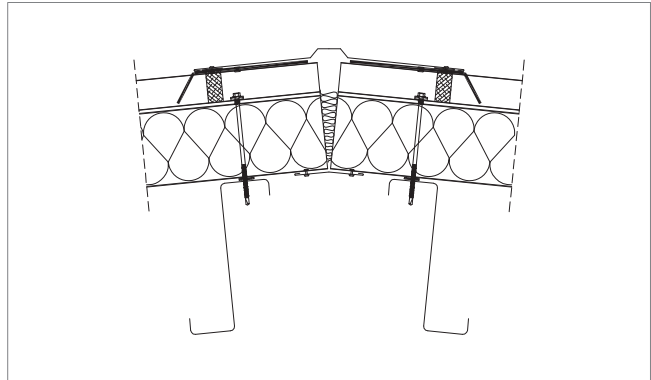
**3.4. OBR 200**  
**BALEXTHERM roof ridge masking frame**

Marking	A [mm]	B [mm]	Unfolding [mm]	Weight [kg/linear m]
OBR 200/40	116	85	363	1,42
OBR 200/60	136	105	383	1,50
OBR 200/80	156	125	403	1,58
OBR 200/100	176	145	423	1,66
OBR 200/120	196	165	443	1,74
OBR 200/150	226	195	493	1,93
OBR 200/160	236	205	553	2,17



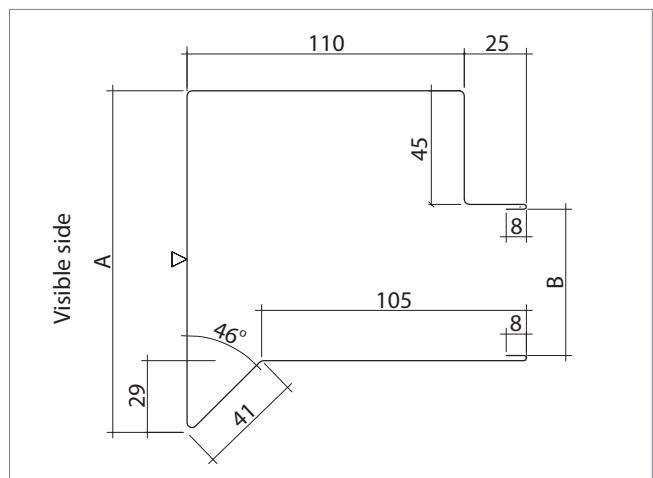
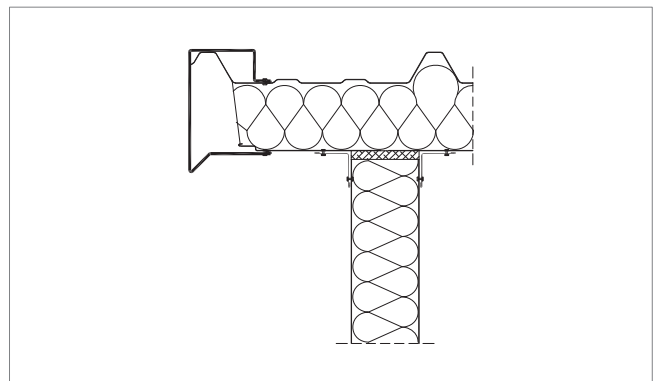
### 3.5. OBR 201 BALEXTHERM-R Roof ridge strip

Marking	Unfolding [mm]	Weight [kg/linear m]
OBR 201	185	0,73

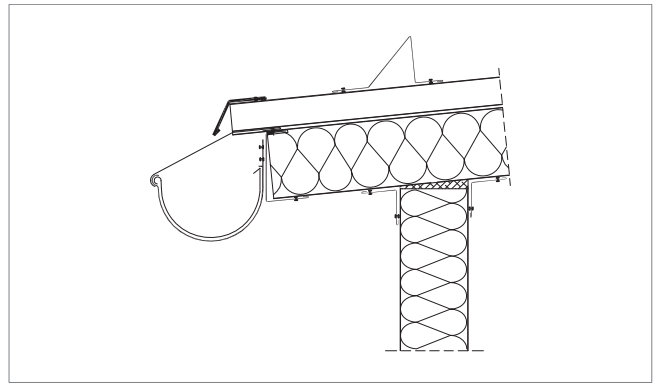


### 3.6. OBR 202 BALEXTHERM wind blade flashing

Marking	A [mm]	B [mm]	Unfolding [mm]	Weight [kg/linear m]
OBR 202/40	116	40	458	1,80
OBR 202/60	136	60	478	1,88
OBR 202/80	156	80	498	1,96
OBR 202/100	176	100	518	2,03
OBR 202/120	196	120	538	2,11
OBR 202/150	226	150	568	2,23
OBR 202/160	236	160	578	2,27

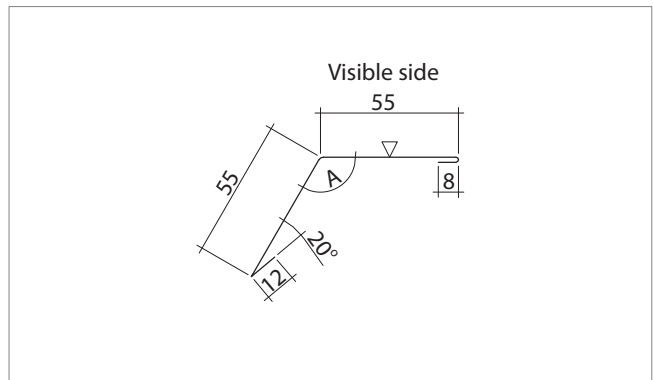


### 3.7. OBR 203 BALEXTHERM-R over-gutter drip cap

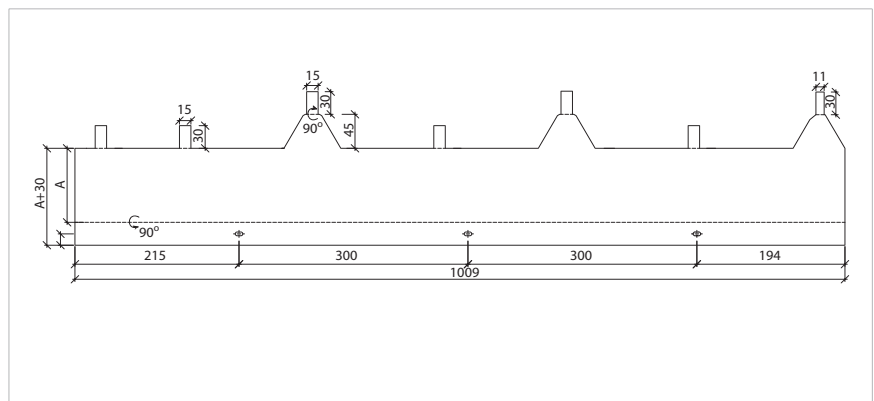


Marking	Unfolding [mm]	Weight [kg/linear m]
OBR 203	130	0,51

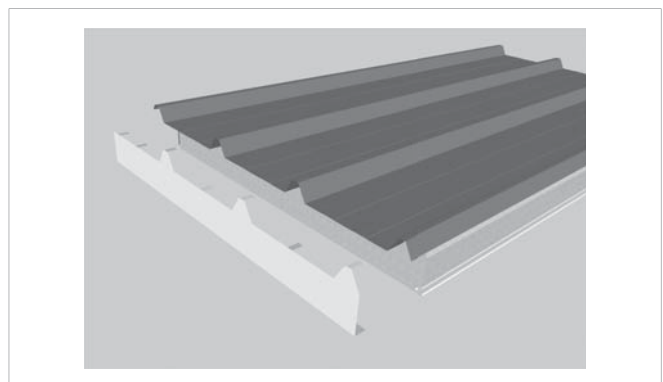
*„A‘ angle adjusted according to the roof pitch*



### 3.8. OBR 206 Closure for BALEXTHERM-R



Marking	A [mm]	Weight of 1 pcs. [kg]
OBR 206/40	38	0,31
OBR 206/60	58	0,39
OBR 206/80	78	0,46
OBR 206/100	98	0,54
OBR 206/120	118	0,62



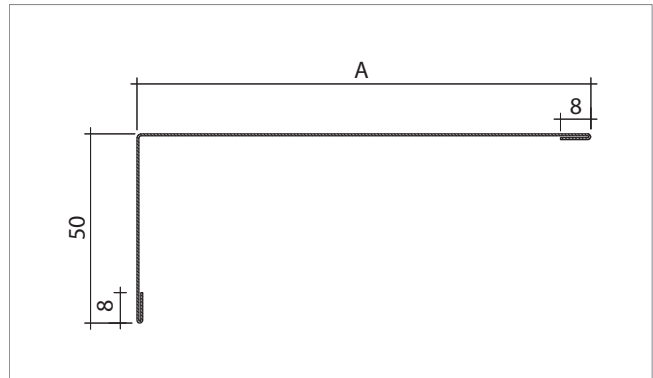
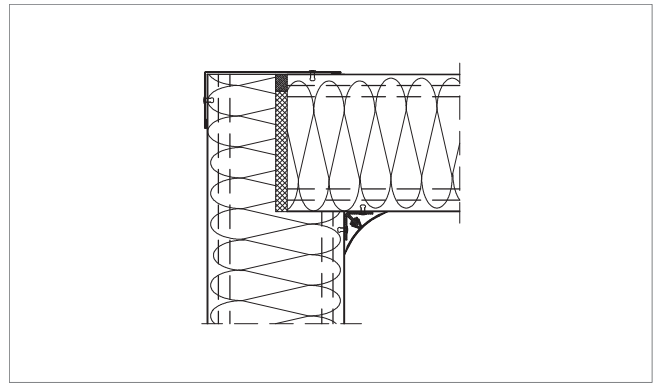
Visualization of the closure of BALEXTHERM-R in roof eave with OBR 206

### 3.9. OBR 301 BALEXTHERM-PU-F external corner

$t \geq 0,50$  mm

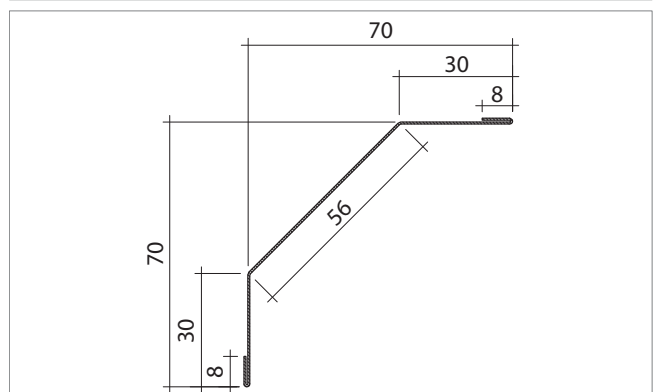
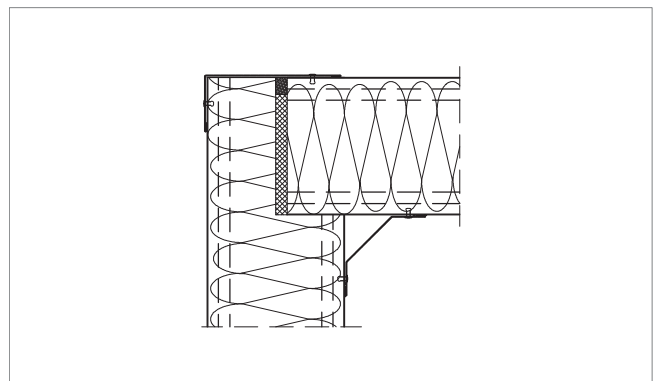
Marking	A [mm]	Unfolding [mm]	Weight [kg/linear m]
OBR 301/120	120	186	0,73
OBR 301/160	140	206	0,81
OBR 301/180	150	216	0,85
OBR 301/200	160	226	0,89

\* weight for 0,5mm thick steel



### 3.10. OBR 302 BALEXTHERM-PU-F slant internal corner

Marking	Unfolding [mm]	Weight [kg/linear m]
OBR 302	132	0,52



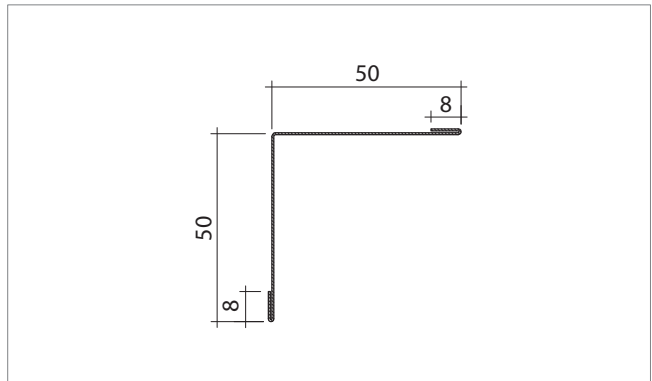
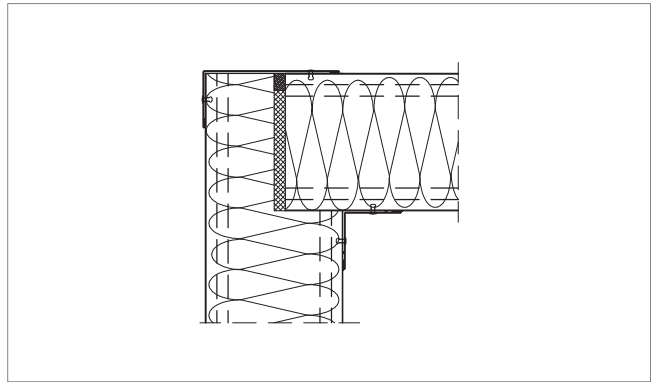


**3.11. OBR 303**  
**BALEXTHERM-PU-F straight internal corner**

t≥0,50 mm

Marking	Unfolding [mm]	Weight [kg/linear m]
OBR 303	116	0,45

\* weight for 0,5mm thick steel

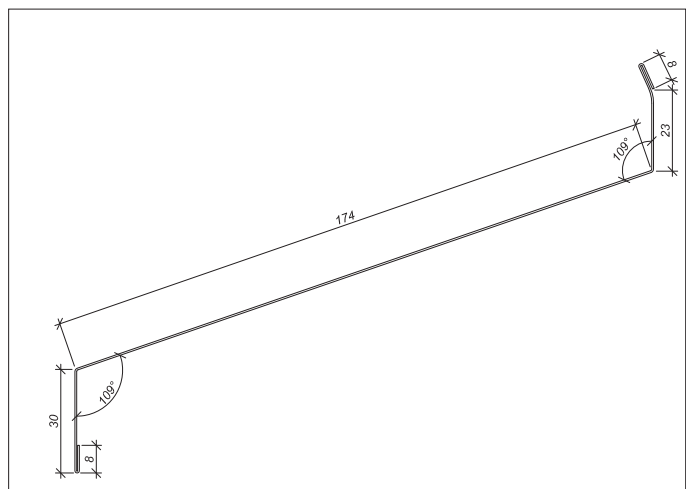
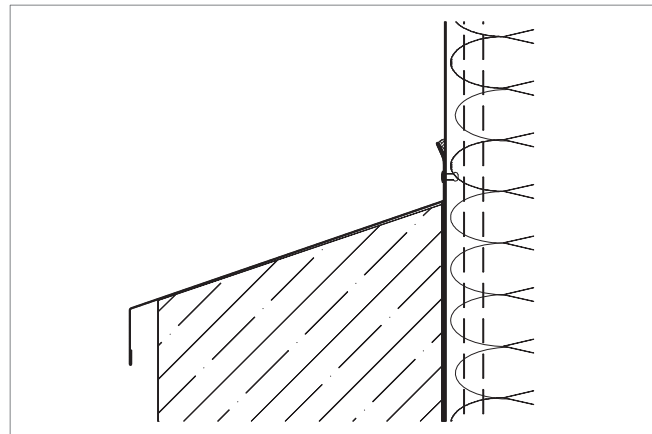


**3.12. OBR 304**  
**BALEXTHERM-PU-F drip cap**

t≥0,50 mm

Marking	Unfolding [mm]	Weight [kg/linear m]
OBR 304	251	0,98

\* weight for 0,5mm thick steel



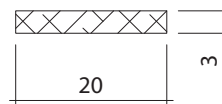
## II. ACCESSORIES FOR SANDWICH PANELS

### 1. SEALING TAPES

#### 1.1. Self-adhesive sealing tapes

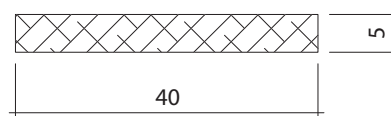
##### 1.1.1. Polyethylene self-adhesive sealing tape PES 3x20

Sealing at the contact area between purlins/transoms with a sandwich panel



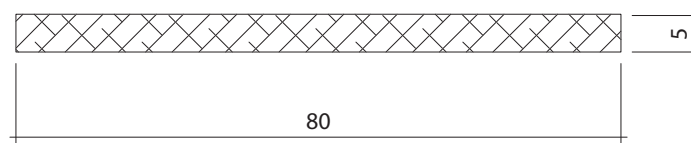
##### 1.1.2. Polyurethane self-adhesive sealing tape PUS 5x40

Thermal insulation



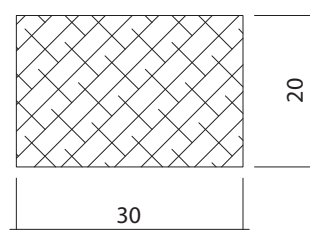
##### 1.1.3. Polyurethane self-adhesive sealing tape PUS 5x80

Thermal insulation

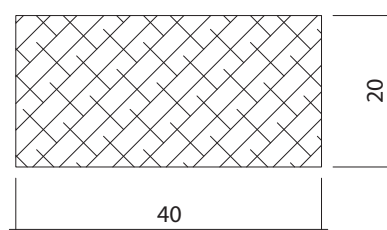


#### 1.2. Impregnated polyurethane seals

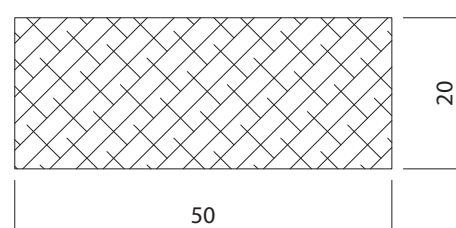
##### 1.2.1. Impregnated polyurethane seal 20x30



##### 1.2.2. Impregnated polyurethane seal 20x40



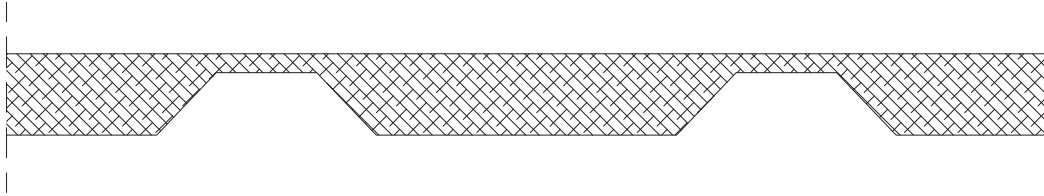
##### 1.2.3. Impregnated polyurethane seal 20x50



### 1.3. Polyethylene sealing tapes

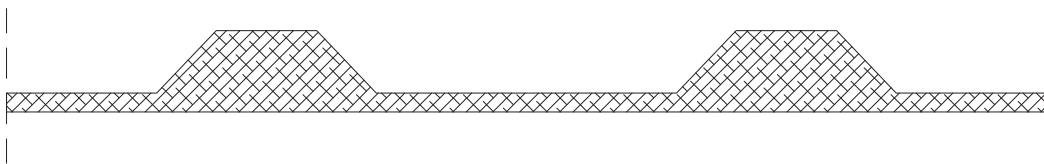
#### 1.3.1. Polyethylene sealing tape for PWD panels - TUN 18

It is placed on a panel and matched to the panel's profile



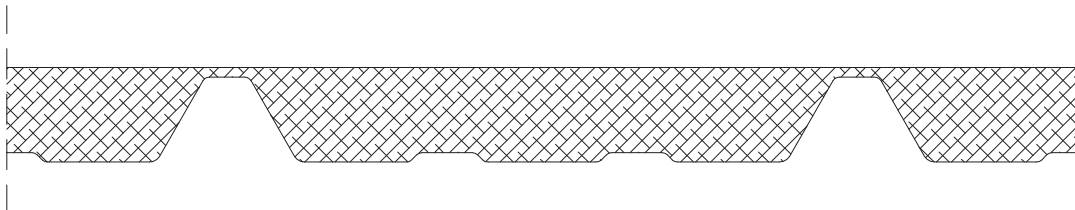
#### 1.3.2. Polyethylene sealing tape for PWD panels - TUP 18.

It is placed under a panel and matched to the panel's profile.



#### 1.3.3. Polyethylene sealing tape for BALEXTHERM-R panels - TUN 45

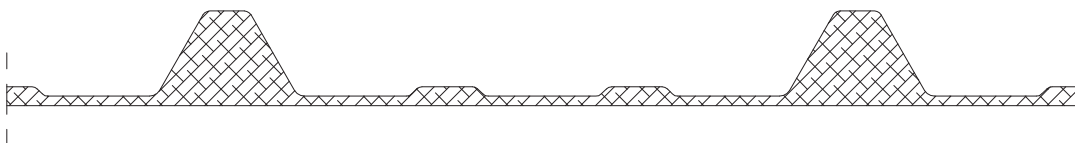
It is placed on a panel and matched to the panel's profile.



#### 1.3.4. Polyethylene sealing tape for BALEXTHERM-R panels - TUP 45.

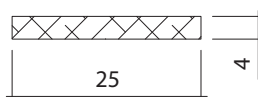
Placed under a panel and matched to the panel's profile.

Placed under upper cladding and matched to a particular type of a sheet's profile.



### 1.4. Butyl sealing tape.

There is also butyl pulp in the cartridge.



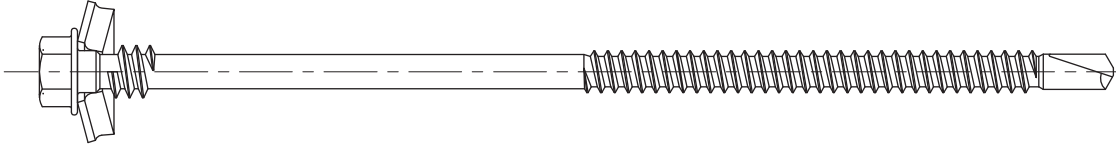
### 1.5. Impregnated polyurethane expansive tape

width [mm]	height [mm]	height after expansion [mm]
20	8	40
20	10	50
10	4	20

## 2. FASTENERS

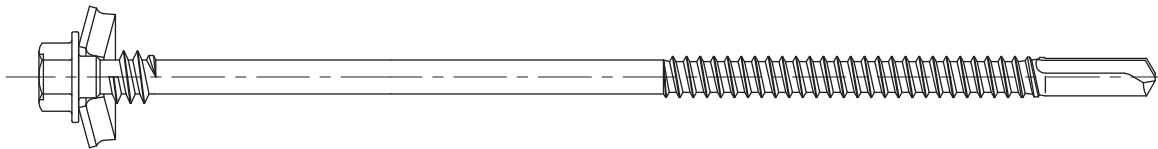
### 2.1. LB 1 fastener for fastening sandwich panels to steel structure of the thickness of 1.5 – 6.0mm

(adjust according to the table from the catalogue)

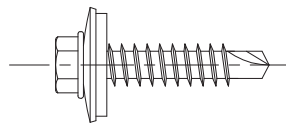


### 2.2. LB 2 fastener for fastening sandwich panels to steel structure of the thickness of 3.0 – 12.0mm

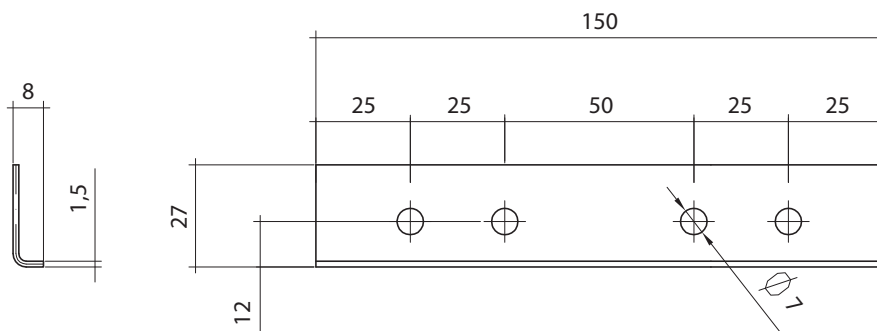
(adjust according to the table from the catalogue)



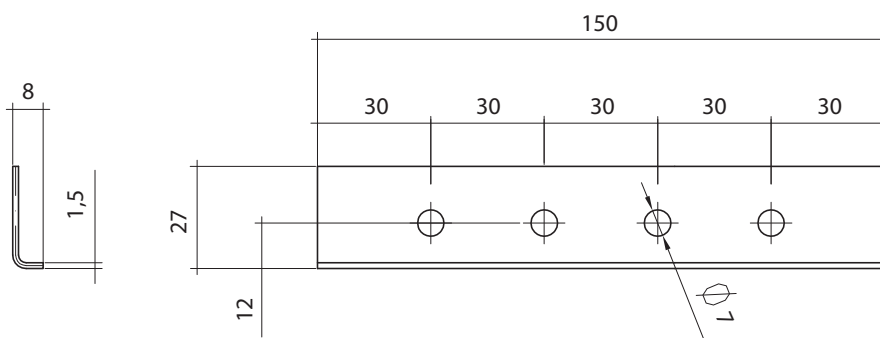
### 2.3. LB 6 fastener for fastening flashings



### 2.4. LB 25 system steel washer

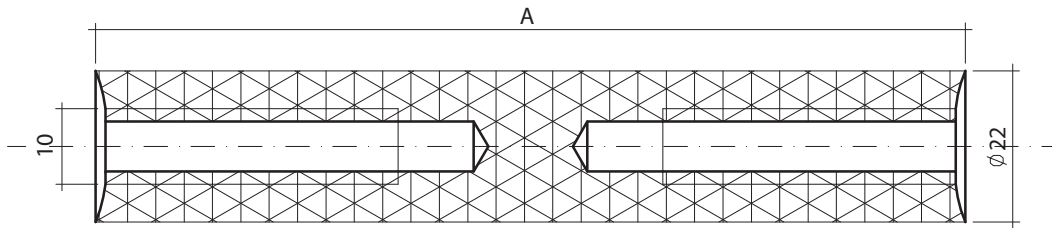


### 2.5. LB 30 system steel washer



### 3. COLD STORAGE ACCESSORIES

#### 3.1. LB 70 polyamide sleeve



A=110 for BALEXTHERM-PU-F 120 panel

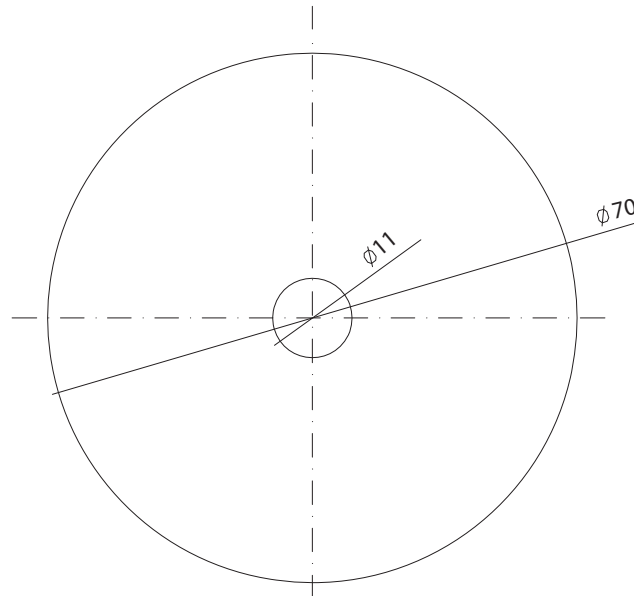
A=150 for BALEXTHERM-PU-F 160 panel

A=170 for BALEXTHERM-PU-F 180 panel

A=190 for BALEXTHERM-PU-F 200 panel

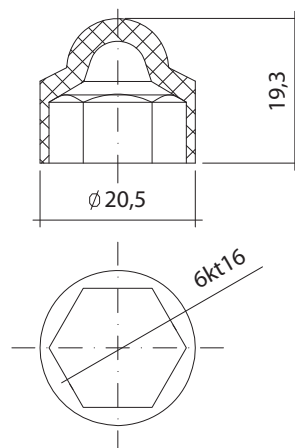
#### 3.2. LB 71 load carrying pad Ø70 / Ø10.5

Steel sheet 3mm thick, galvanized and powder painted 9002 or 9010 colour



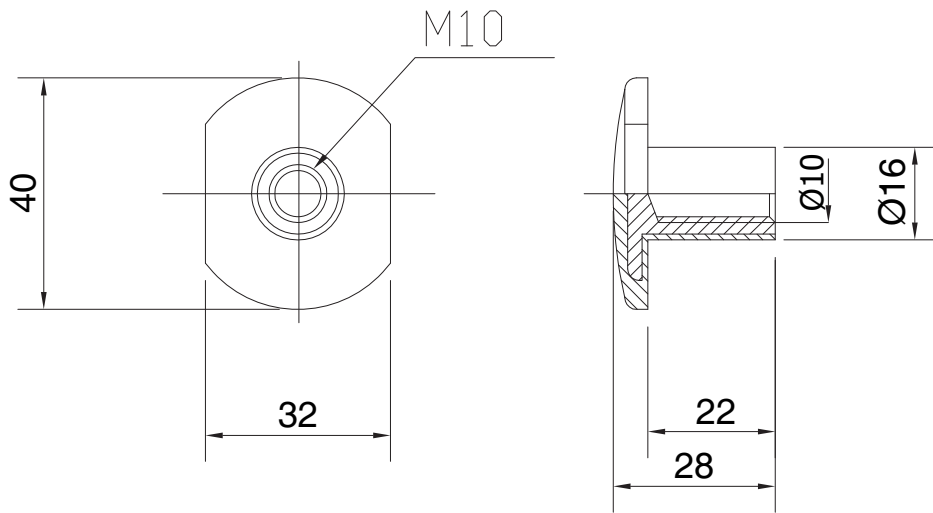
#### 3.3. Protective cap

Material: polypropylene – colour 9010

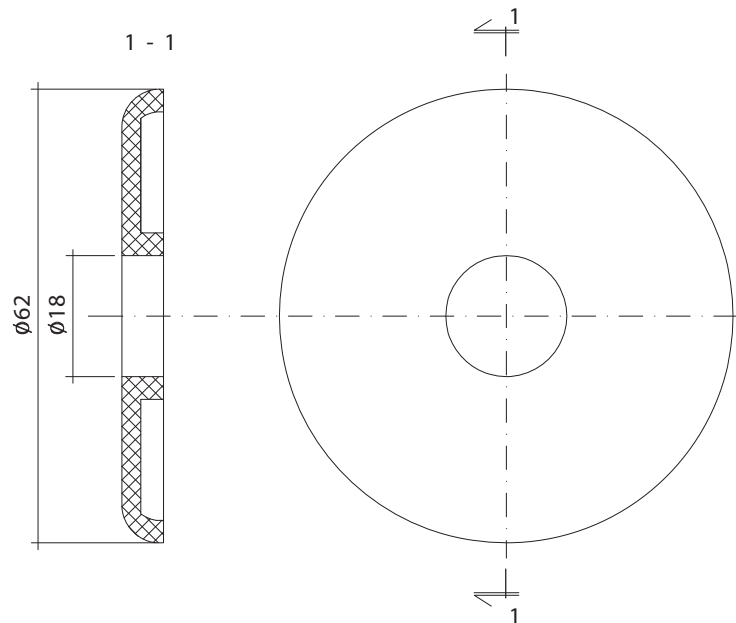


### 3.4. Fastening nut

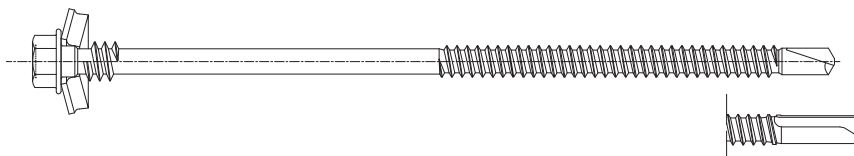
INJ 235 – M 10 with a steel insert  
 INJ 23 – M 10 without a steel insert



### 3.5. INJ 24 Washer for INJ 235 or INJ 23 fastening nuts

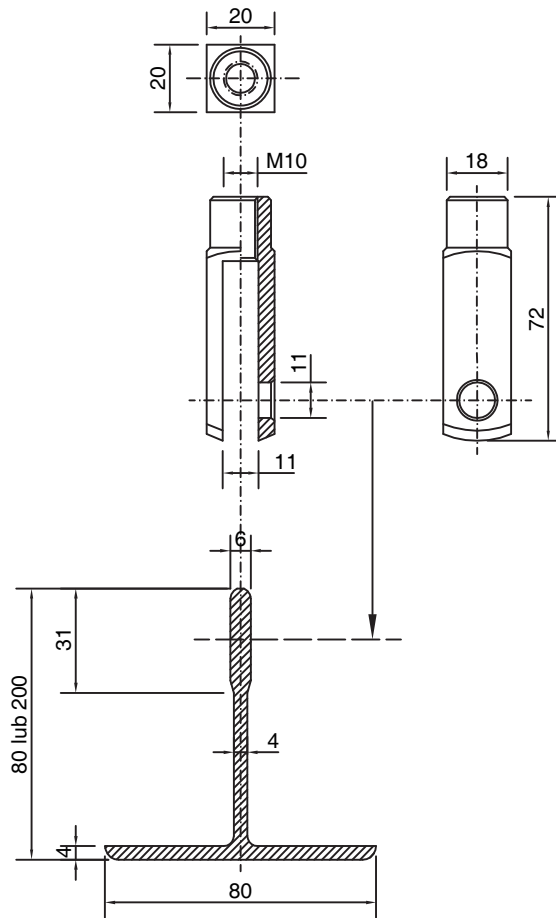


### 3.6. LB 7 fastener for fastening cold storage panels to steel structure

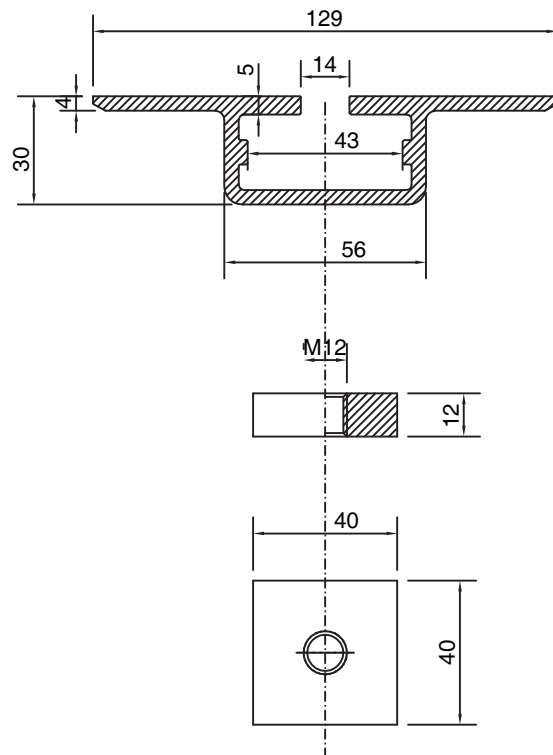


### 3.7. A 88 hanger M 10 for T profiles

Marking	H [mm]
PUL. 01	80
PUL. 02	200

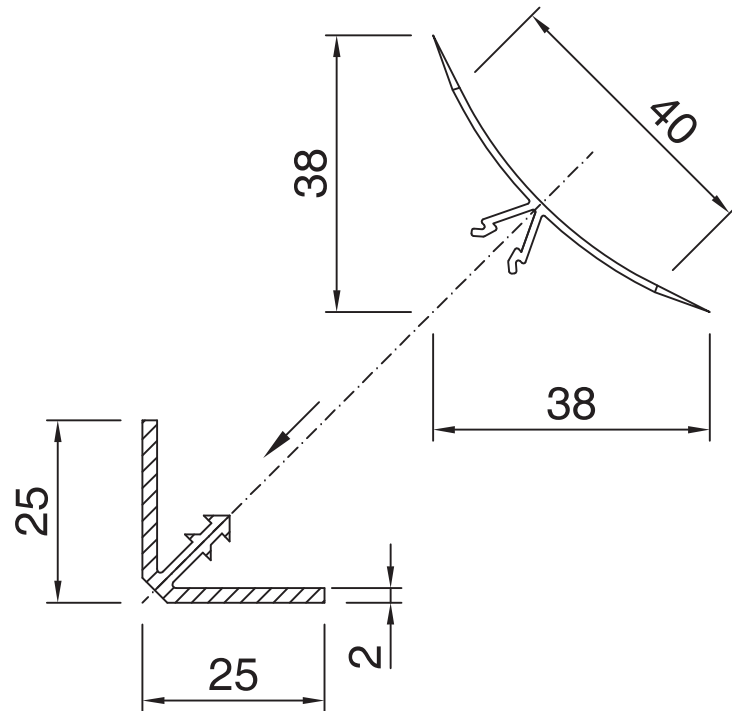


### 3.8. PUL 11 OMEGA profile (polyester) with a steel square nut (A95G)



### 3.9. PVC rounded corner profile

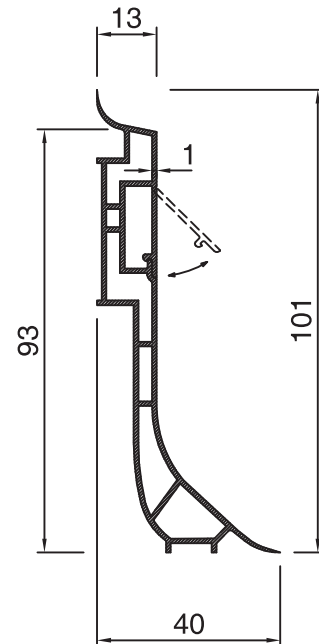
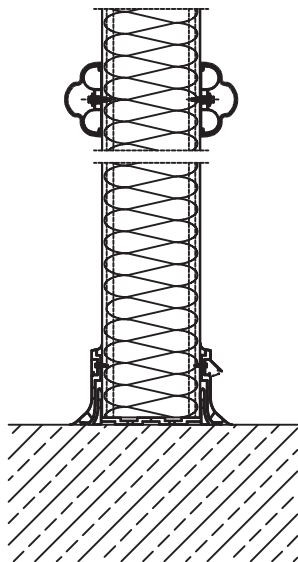
Marking	L [mm]
EX. 14	85
EX. 40	40



### 3.10. PVC fastening profile

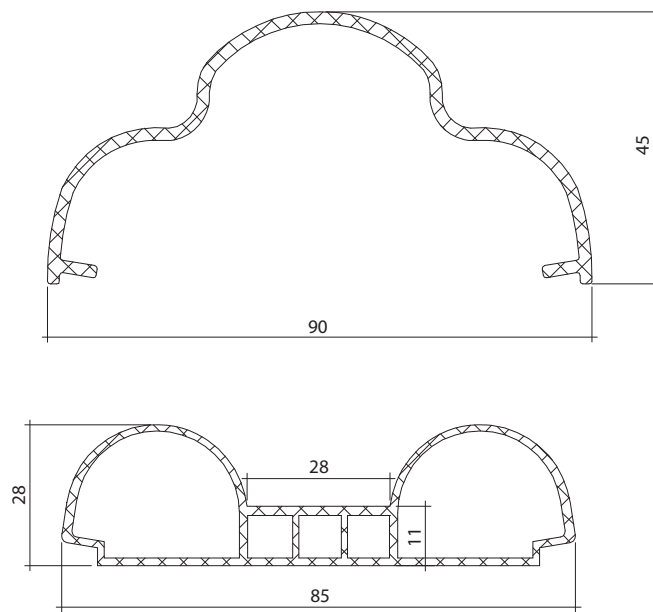
Marking	L [mm]
EX. 28	40
EX. 41	25

### 3.11. PVC double-wall plinth with soft edges and invisible fixing feature – EX 15

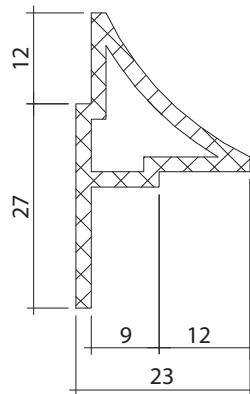




### 3.12. Light bump handrail (complete set) – EX 20 and EX 21

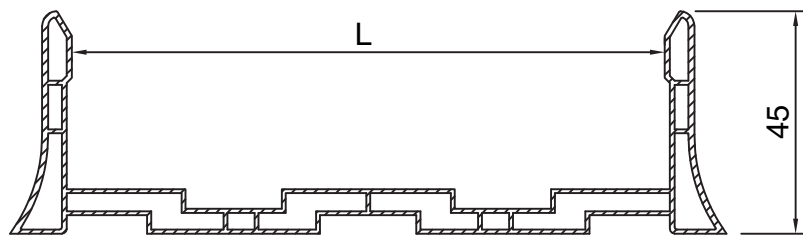


### 3.13. Profile of the concrete plinth finish – EX 10 (INJ B229 – profile's end)



### 3.14. PVC rigid channel profile 'U' with round edges

Marking	L [mm]
EX. 04	60
EX. 49	75
EX. 05	80
EX. 06	100
EX. 23	120



# CONTACT

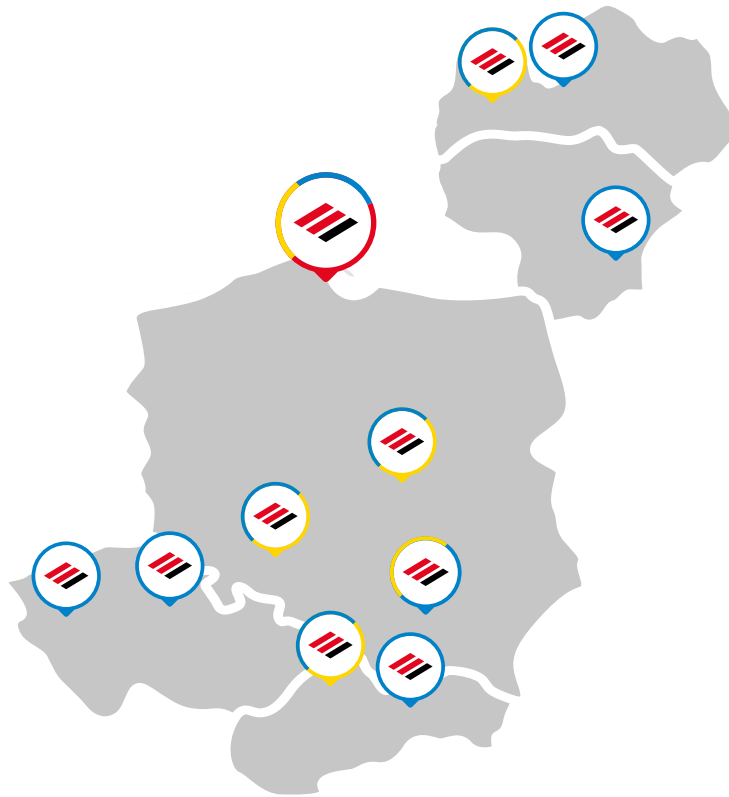
## Balex Metal Sp. z o. o.


### HEAD OFFICE

ul. Wejherowska 12C  
84-239 Bolszewo  
NIP 588-11-30-299  
Regon 191112216  
KRS 0000176277

kontakt@balex.eu  
+48 58 778 44 44 / 801 000 807

**balex.eu**



 Head office

 Sales office branch

 Production plants

## BRANCH OFFICES IN POLAND



### BOLSZEWO

ul. Wejherowska 12C  
84-239 Bolszewo, Polska  
tel. +48 58 778 44 44  
bolszewo@balex.eu



### DŁUGOŁĘKA

ul. Wrocławska 42  
55-095 Długoleka  
tel. +48 71 315 16 11  
tel. +48 538 818 430  
tel. +48 600 263 053  
wroclaw@balex.eu



### TOMASZÓW MAZOWIECKI

ul. Spalska 143/147  
97-200 Tomaszów Mazowiecki  
tel. +48 696 030 424  
tel. +48 539 675 045  
tel. +48 44 618 22 22  
tomaszow@balex.eu



### PUSTKÓW

Pustków 363C,  
39-205 Pustków  
tel. +48 14 634 84 44  
pustkow@balex.eu

## **Balex Metal Sp. z o. o.**

ul. Wejherowska 12C  
84-239 Bolszewo, Poland  
NIP (TIN) 588-11-30-299  
Regon 191112216  
KRS 0000176277

kontakt@balex.eu  
+48 58 778 44 44 / 801 000 807

**balex.eu**

EN-2022-10-06

Niniejszy wydruk nie stanowi oferty w rozumieniu kodeksu cywilnego. Zamieszczone informacje są aktualne w dniu publikacji. Zgodnie z dewizą Balex Metal dotyczącą stałego udoskonalania, informacje te nie są wiążące i mogą ulec zmianie bez wcześniejszego powiadomienia. Balex Metal zastrzega sobie możliwość wprowadzania zmian w wersjach prezentowanych produktów.



**Katalog w wersji online**