



PROFILES FOR MOUNTING BRACES IN BETWEEN PURLINS

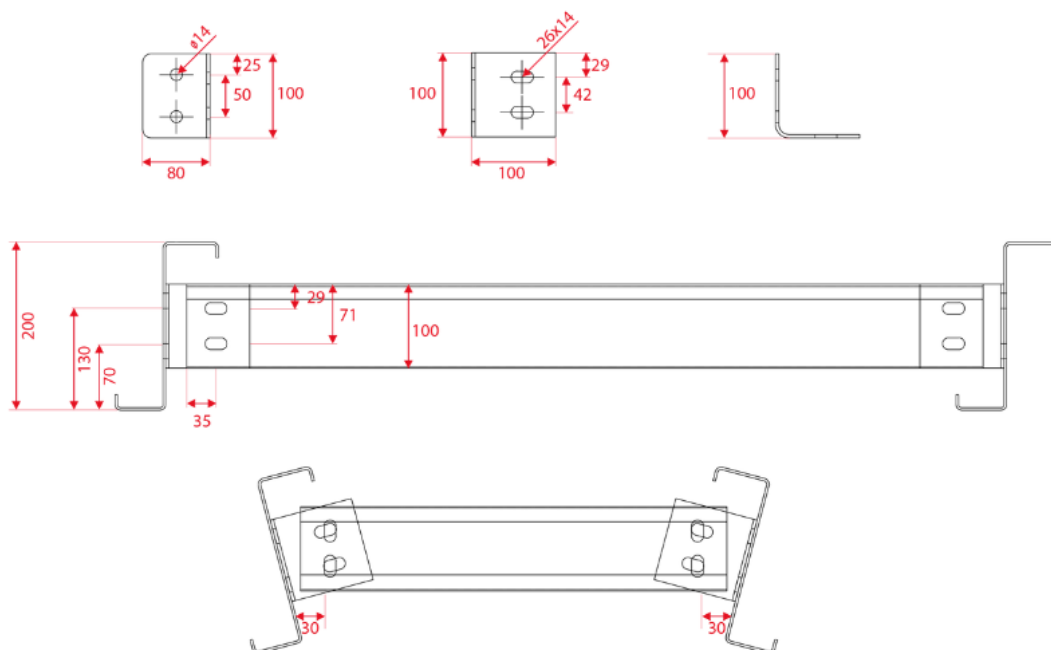
The braces are the element used to stiffen the Z-purlins. Stiffening is obtained by using a channel attached transversely to the purlins with angles.

Balex Metal offers braces for Zet profiles with a height of 150-300 mm.

MOUNTING TYPES

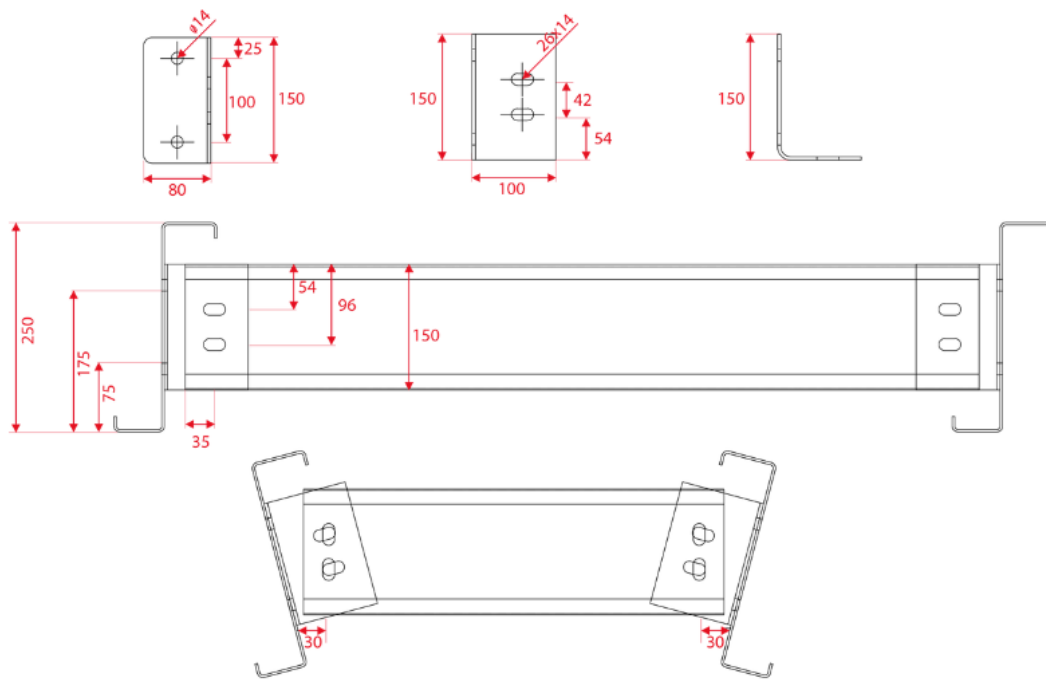
Mounting the braces to the Z150-225 profiles

thickness 4 mm



Mounting the braces to the Z250-300 profiles

thickness 4 mm



SCHEME OF MOUNTING ASSEMBLY TABLES AND BRACES

